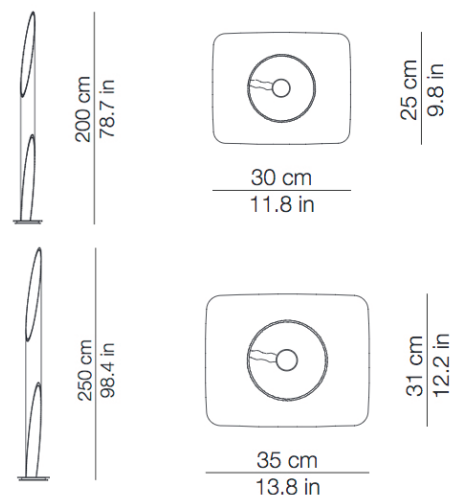


PROJECT	
TYPE	
NOTES	

SHAKTI FLOOR

FLOOR

BY KUNDALINI



PRODUCT NAME	Shakti Floor				
DESIGNER	Marzio Rusconi Clerici				
MANUFACTURER	Kundalini				
CATEGORY	Floor				
MATERIAL	Coextruded and laser cut Plexiglass				
PRODUCT CODE	<table border="0"> <tr> <td>Ø 200:</td> <td>Ø 250:</td> </tr> <tr> <td>Ø 4-KCR110BIEU (White)</td> <td>4-KCR111BIEU (White)</td> </tr> </table>	Ø 200:	Ø 250:	Ø 4-KCR110BIEU (White)	4-KCR111BIEU (White)
Ø 200:	Ø 250:				
Ø 4-KCR110BIEU (White)	4-KCR111BIEU (White)				

LIGHT SOURCE	Ø 200: Fluorescent 2 x 20W E27 Ø 250: Fluorescent 2 x 25W E27
FINISHES	White
IP	20
DIMENSIONS	200 (H) x 25 (L) x 30 (W) cm 250 (H) x 25 (L) x 30 (W) cm
ORIGIN	Italy
WARRANTY	2 Years
DIMMABLE	Dimmer included