



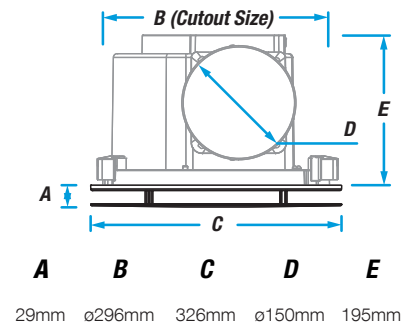
radiantlighting

AIRBUS 300

CEILING

BY VENTAIR

PROJECT	
TYPE	
NOTES	



PRODUCT NAME	Airbus 300 Round & Square
DESIGNER	Ventair
MANUFACTURER	Ventair
PRODUCT CODE	640-PVPX300WH (Round) 640-PVPX300WHSQ (Square)
MOTOR POWER	106W
NOISE LEVEL	42dB(A)

CATEGORY	Exhaust Fans
FINISHES	White
IP	X4
DIMENSIONS	Round: Ø 326 mm (cut out: Ø 296mm) Square: 326 x 326mm (cut out: Ø 296mm)
WARRANTY	5 years