



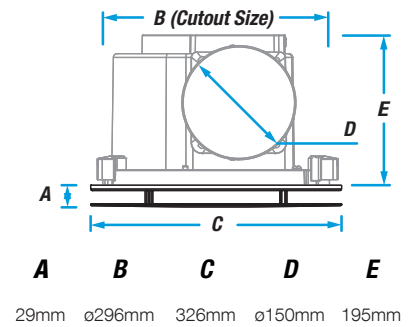
radiantlighting

AIRBUS 300

CEILING

BY VENTAIR

PROJECT	
TYPE	
NOTES	



PRODUCT NAME	AIRBUS 300 ROUND AIRBUS 300 SQUARE
DESIGNER	Ventair
MANUFACTURER	Ventair
PRODUCT CODE	640-PVPX300WH (Round) 640-PVPX300WHSQ (Square)
MOTOR POWER	106W

FINISHES	White
DIMENSIONS	ROUND: Ø 326 mm (cut out - Ø 296mm) SQUARE: 326 x 326mm (cut out - Ø 296mm)
IP	X4
WARRANTY	5 year manufacturers warranty
CATEGORY	Ceiling