



radiantlighting

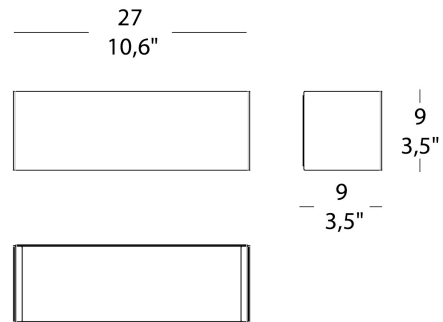
SUNRISE ECO PA270

WALL

BY MOROSINI



PROJECT	
TYPE	
NOTES	



PRODUCT NAME	Sunrise ECO PA270
DESIGNER	Uffici Stile
MANUFACTURER	Morosini
PRODUCT CODE	45-5030 (Black) 45-5031 (White) 45-5032 (Satin Steel)
CATEGORY	Wall
MATERIAL	Stainless Steel

LIGHT SOURCE	12,4W 3000K Cri>80
LUMENS	1640
FINISHES	White, Black, Stainless Steel
IP	40
DIMENSIONS	27 (W) x 9 (H) cm
ORIGIN	Italy
WARRANTY	3 years