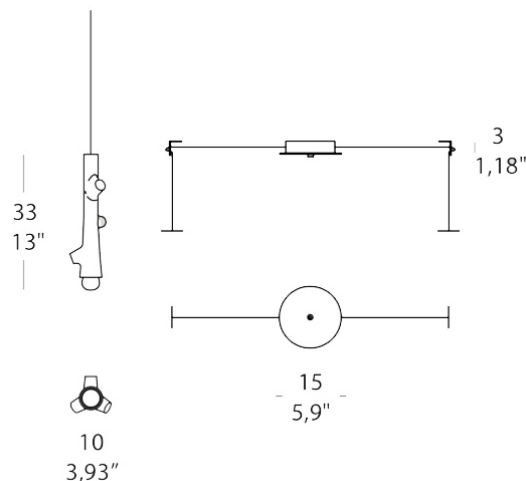


PROJECT	
TYPE	
NOTES	

RAMETTO S02

SUSPENSION

BY MOROSINI



PRODUCT NAME	Rametto S02
DESIGNER	Chiaromonte Marin
MANUFACTURER	Morosini
PRODUCT CODE	Upon Request
CATEGORY	Suspension
MATERIAL	Ceramic Metal Glass
DIMMABLE	No

LIGHT SOURCE	2 x E14 LED 5.5W
FINISHES	Matte Black, Matte White, Matte Gold, Matte Copper
IP	20
DIMENSIONS	10 x H 33 cm Base Ø 15 x H 3 cm
ORIGIN	Italy
WARRANTY	3 years