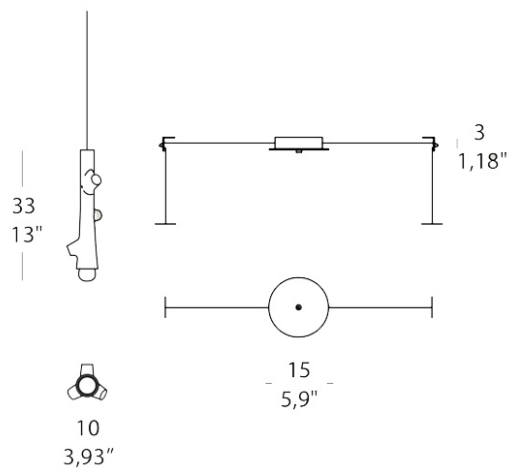


PROJECT	
TYPE	
NOTES	

RAMETTO S02

SUSPENSION

BY MOROSINI



PRODUCT NAME	Rametto S02
DESIGNER	Chiaromonte Marin
MANUFACTURER	Morosini
PRODUCT CODE	Upon Request
CATEGORY	Suspension
MATERIAL	Ceramic Metal Glass

LIGHT SOURCE	2 x E14 LED 5.5W
FINISHES	Matte Black, Matte White, Matte Gold, Matte Copper
IP	20
DIMENSIONS	10 x H 33 cm Base Ø 15 x H 3 cm
ORIGIN	Italy
WARRANTY	3 years