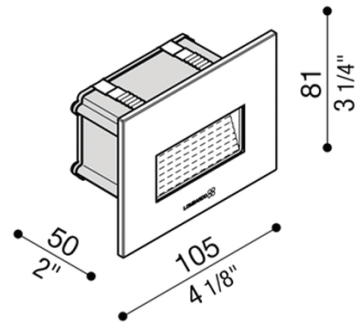




radiantlighting

STILE NEXT 503 ASYMMETRIC WALL
BY LOMBARDO

PROJECT	
TYPE	
NOTES	



PRODUCT NAME	Stile Next 503 Asymmetric
DESIGNER	Lombardo
MANUFACTURER	Lombardo
PRODUCT CODE	48-LL643CN (White, 4000K) 48-LL643C3 (White, 3000K) 48-66643CG3 (Grey, 3000K)
CATEGORY	Wall
MATERIAL	Die-Cast Aluminium Glass
DIMMABLE	No

LIGHT SOURCE	6W LED
LUMENS	310 lm
FINISHES	White or Grey
DIMENSIONS	105 (L) x 81 (H) x 50 (D) mm
IP	66
ORIGIN	Italy
WARRANTY	3 years