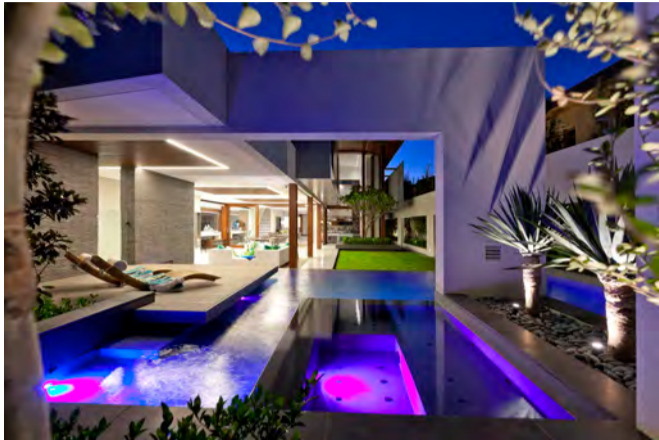


INSPIRATION BOARD

LANDSCAPE LIGHTING



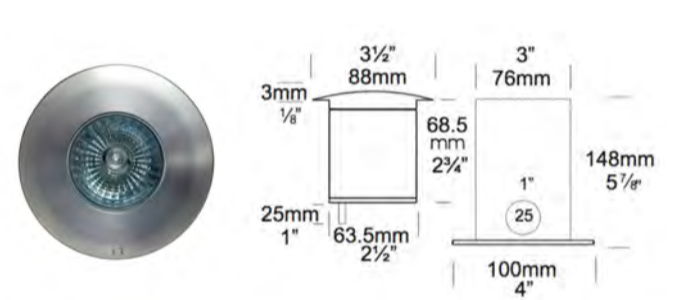
Product Name: Adjustable Spike Spot
 Designer: Hunza
 Manufacturer: Hunza
 IP: 66
 Light Source: MR16 LED 7.5W Soraa
 Material: Aluminium/Copper/Stainless Steel
 Finishes: Black/Bronze/Copper/Green/Metalic Silver/Stainless Steel



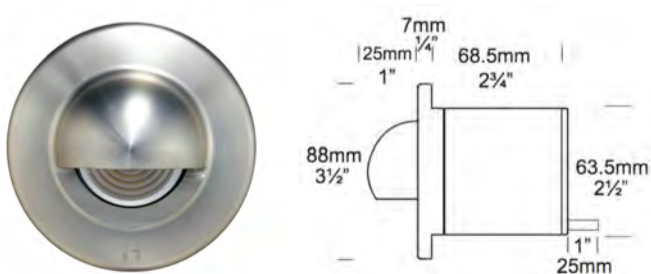
Product Name: Modux 2 Hanging
 Designer: LuxR
 Manufacturer: LuxR
 IP: 68
 Light Source: LED 2W (3K) / LED 4W (3K)
 Material: Brass
 Finishes: Brass



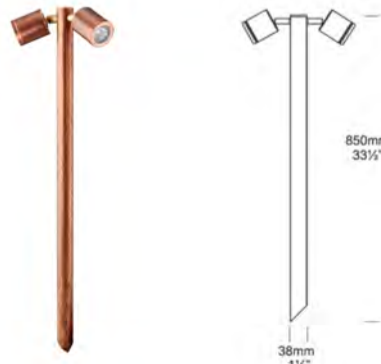
Product Name: Floor Lite
 Designer: Hunza
 Manufacturer: Hunza
 IP: 66
 Light Source: Halogen 1 x 35W or LED 1 x 6W
 Material: Copper/Stainless Steel
 Finishes: Copper/Stainless Steel



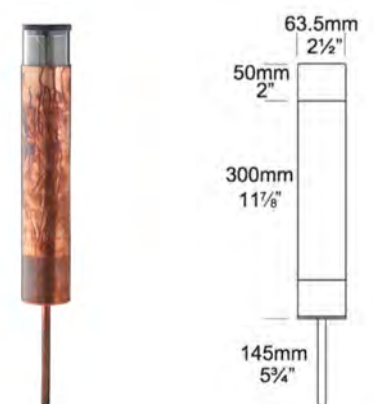
Product Name: Step Lite Solid Eyelid
 Designer: Hunza
 Manufacturer: Hunza
 IP: 66
 Light Source: Halogen 1 x 35W or LED 1 x 6W
 Material: Aluminium/Copper/Stainless Steel
 Finishes: Copper/Stainless Steel



Product Name: Twin Pole Lite
 Designer: Hunza
 Manufacturer: Hunza
 IP: 66
 Light Source: Halogen 2 x 35W MR16 or LED 2 x 6W
 Material: Aluminium/Copper/Stainless Steel
 Finishes: Black/Bronze/Copper/Green/Silver/Stainless Steel



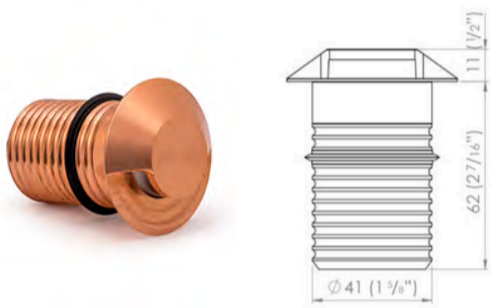
Product Name: Bollard 300
 Designer: Hunza
 Manufacturer: Hunza
 IP: 66
 Light Source: Halogen 1 x 35W or LED 1 x 6W
 Material: Black/Bronze/Copper/Green/Silver/Stainless Steel



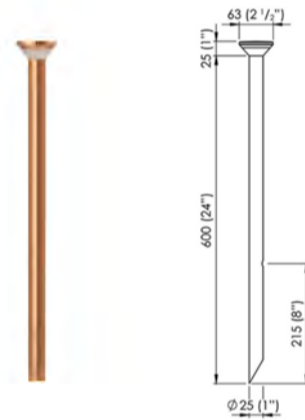
LANDSCAPE LIGHTING



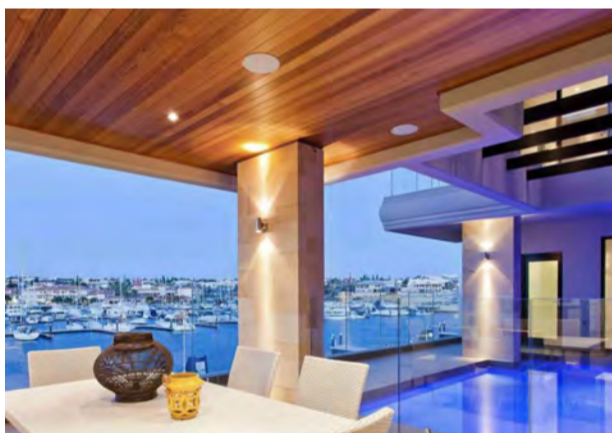
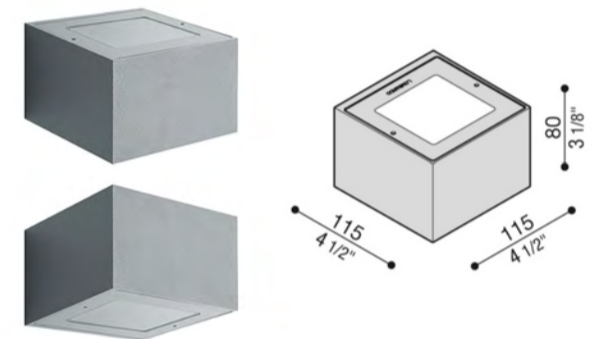
Product Name: Modux 4 Step
 Designer: LuxR
 Manufacturer: LuxR
 IP: 68
 Light Source: LED 4W 700mA 3000K
 Material: Copper/Stainless Steel
 Finishes: Copper/Stainless Steel



Product Name: Modux 1 Halo
 Designer: LuxR
 Manufacturer: LuxR
 IP: 68
 Light Source: 1W LED
 Material: Powder-coat Aluminium/Natural Copper/
 316 Stainless Steel
 Finishes: Black/Copper/Stainless Steel



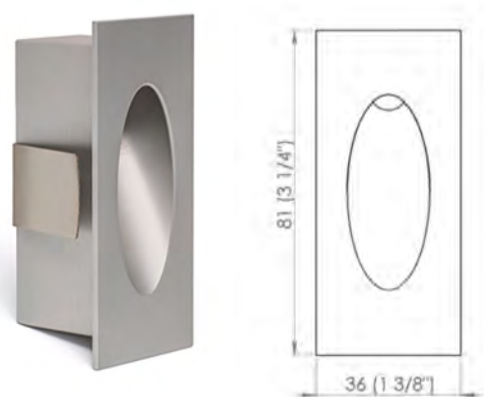
Product Name: Trend Up & Down 110
 Designer: Lombardo
 Manufacturer: Lombardo
 IP: 66
 Light Source: 2 LED 7W
 Material: Aluminium
 Finishes: Corten/Grey/White



Product Name: Pillar Lite
 Designer: Hunza
 Manufacturer: Hunza
 IP: 66
 Light Source: Halogen 2 x 20W MR16 or LED 2 x 6W
 Material: Aluminium, Copper and Stainless Steel
 Finishes: Black/Bronze/Copper/Corten/Grey/
 Metallic Silver/Silver/Stainless Steel/White



Product Name: V1 Light
 Designer: LuxR
 Manufacturer: LuxR
 IP: 65
 Light Source: LED 1W
 Material: Anodised Aluminium
 Finishes: Black/Silver/White



Product Name: Koho
 Designer: Mika Tolvanen
 Manufacturer: Fontana Arte
 IP: 65
 Light Source: LED 3W (3000 K,CRI>80)
 Material: Polycarbonate
 Finishes: Blue/Grey/Yellow

