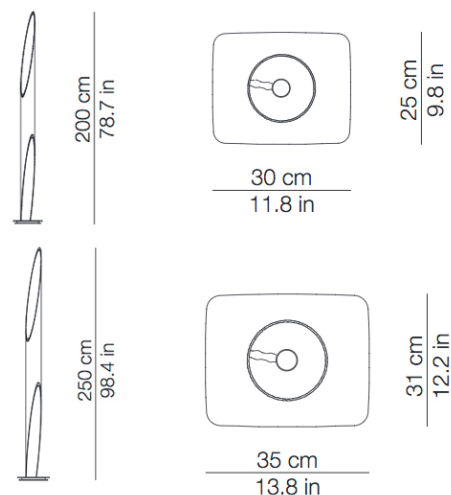


PROJECT	
TYPE	
NOTES	

SHAKTI FLOOR

FLOOR

BY KUNDALINI



PRODUCT NAME	Shakti Floor	LIGHT SOURCE	Ø 200: Fluorescent 2 x 20W E27 or LED 2 x 16W E2 Ø 250: Fluorescent 2 x 25W E27 or LED 2 x 16W E27
DESIGNER	Marzio Rusconi Clerici	FINISHES	Orange / White / Red / Fuschsia
MANUFACTURER	Kundalini	IP	20
CATEGORY	Floor	DIMENSIONS	200 (H) x 25 (L) x 30 (W) cm 250 (H) x 25 (L) x 30 (W) cm
MATERIAL	Coextruded and laser cut Plexiglass	ORIGIN	Italy
PRODUCT CODE	<p>Ø 200:</p> <p>4-KCR110AREU (Orange) 4-KCR110BIEU (White) 4-KCR110REU (Red) 4-KCR110FUEU (Fuschsia)</p> <p>Ø 250:</p> <p>4-KCR111AREU (Orange) 4-KCR111BIEU (White) 4-KCR111REU (Red) 4-KCR111FUEU (Fuschsia)</p> <p>Ø 200 LED:</p> <p>4-KCR110AREULED (Orange) 4-KCR110BIEULED (White) 4-KCR110REULED (Red) 4-KCR110FUEULED (Fuschsia)</p> <p>Ø 250 LED:</p> <p>4-KCR111AREULED (Orange) 4-KCR111BIEULED (White) 4-KCR111REULED (Red) 4-KCR111FUEULED (Fuschsia)</p>	WARRANTY	2 Years