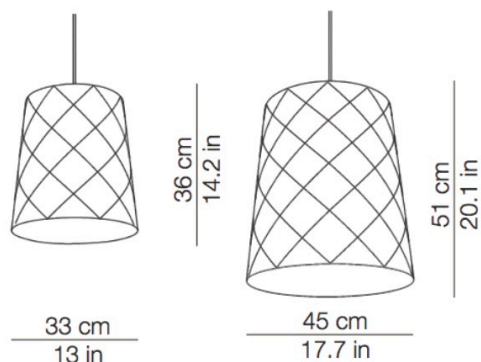
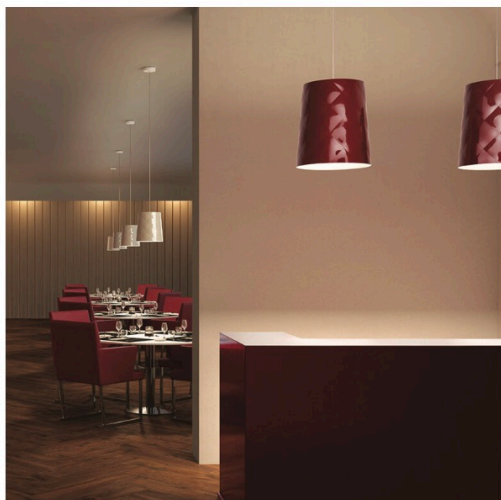


PROJECT	
TYPE	
NOTES	

NEW YORK

SUSPENSION

BY KUNDALINI



PRODUCT NAME	New York
DESIGNER	Peter Jamieson
MANUFACTURER	Kundalini
CATEGORY	Suspension
MATERIAL	Polycarbonate Steel Structure
PRODUCT CODE	<p>Ø 34:</p> <p>4-090261MB (White)</p> <p>4-090261MR (Red)</p> <p>4-090261MBLED (White, LED)</p> <p>4-090261MRLED (Red, LED)</p> <p>Ø 45:</p> <p>4-090261LB (White)</p> <p>4-090261LR (Red)</p> <p>4-090261LBLED (White, LED)</p> <p>4-090261LRLED (Red, LED)</p>

LIGHT SOURCE	<p>Ø 34: Fluorescent 1 x 30W E27 or LED 1 x 16W E2</p> <p>Ø 45: Fluorescent 3 x 30W E27 or LED 3 x 16W E27</p>
FINISHES	White / Red
DIMENSIONS	<p>Ø 34 x 40 (H) cm</p> <p>Ø 45 x 51 (H) cm</p>
IP	20
ORIGIN	Italy
WARRANTY	2 Years
DIMMABLE	Dependant on bulb