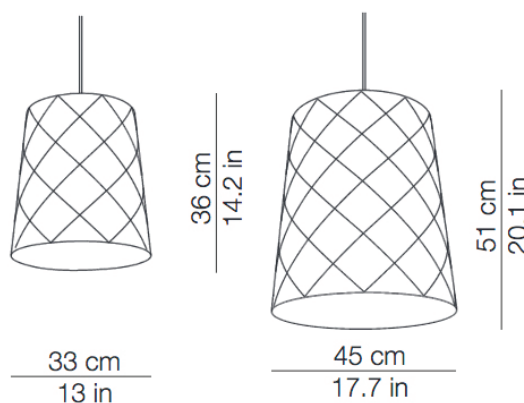


<b>PROJECT</b>	
<b>TYPE</b>	
<b>NOTES</b>	

## NEW YORK

SUSPENSION

BY KUNDALINI



<b>PRODUCT NAME</b>	New York										
<b>DESIGNER</b>	Peter Jamieson										
<b>MANUFACTURER</b>	Kundalini										
<b>CATEGORY</b>	Suspension										
<b>MATERIAL</b>	Polycarbonate   Steel Structure										
<b>PRODUCT CODE</b>	<table border="0"> <tr> <td>Ø 34:</td> <td>Ø 45:</td> </tr> <tr> <td>4-090261MB (White)</td> <td>4-090261LB (White)</td> </tr> <tr> <td>4-090261MR (Red)</td> <td>4-090261LR (Red)</td> </tr> <tr> <td>4-090261MBLED</td> <td>4-090261LBLED</td> </tr> <tr> <td>4-090261MRLED</td> <td>4-090261LRLED</td> </tr> </table>	Ø 34:	Ø 45:	4-090261MB (White)	4-090261LB (White)	4-090261MR (Red)	4-090261LR (Red)	4-090261MBLED	4-090261LBLED	4-090261MRLED	4-090261LRLED
Ø 34:	Ø 45:										
4-090261MB (White)	4-090261LB (White)										
4-090261MR (Red)	4-090261LR (Red)										
4-090261MBLED	4-090261LBLED										
4-090261MRLED	4-090261LRLED										

<b>LIGHT SOURCE</b>	Ø 34: Fluorescent 1 x 30W E27 or LED 1 x 16W E2 Ø 45: Fluorescent 3 x 30W E27 or LED 3 x 16W E27
<b>FINISHES</b>	White / Red
<b>DIMENSIONS</b>	Ø 34 x 40 (H) cm Ø 45 x 51 (H) cm
<b>IP</b>	20
<b>ORIGIN</b>	Italy
<b>WARRANTY</b>	2 Years