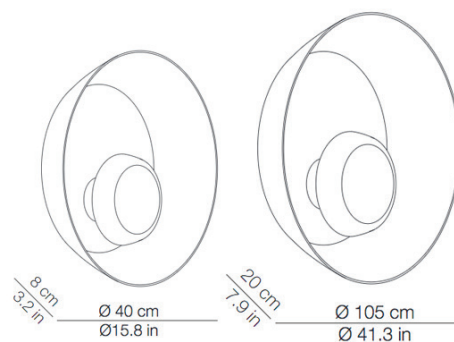


PROJECT	
TYPE	
NOTES	

DAWN

WALL

BY KUNDALINI



PRODUCT NAME	Dawn	LIGHT SOURCE	Ø 40: Board LED 1 x 17W 2700K Ø 105: Board LED 12 x 10W RGBA
DESIGNER	Marco Merendi	FINISHES	White and Polished Copper White and Black Chrome
MANUFACTURER	Kundalini	IP	20
CATEGORY	Wall	DIMENSIONS	Ø 40 x 8 (W) cm Ø 105 x 20 (W) cm
MATERIAL	Metal Luminaire	ORIGIN	Italy
PRODUCT CODE	Ø 40: 4-095215SCU (Copper) 4-095215SCRN (Black Chrome) Ø 105: 4-095215LCU (Copper) 4-095215LCRN (Black Chrome)	WARRANTY	2 Years
		DIMMABLE	Ø 40: Phase Cut Dimming Ø 105: DALI Dimmable