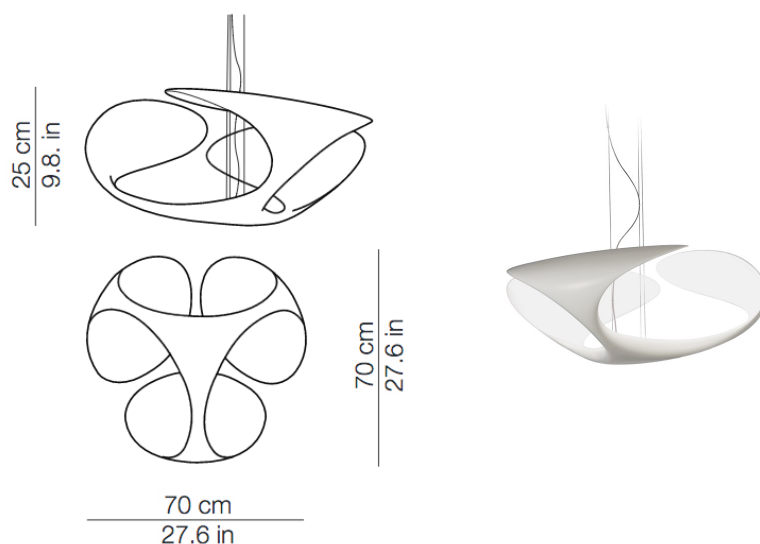


PROJECT	
TYPE	
NOTES	

CLOVER

SUSPENSION

BY KUNDALINI



PRODUCT NAME	Clover
DESIGNER	Brodie Neill
MANUFACTURER	Kundalini
CATEGORY	Suspension
MATERIAL	Polyurethane
PRODUCT CODE	4-K1400499
DIMMABLE	No

LIGHT SOURCE	Board LED 1 x 25W
LUMEN OUTPUT	2600 lm
FINISHES	White
DIMENSIONS	Ø 70 cm x 25 (H) cm
IP	20
ORIGIN	Italy
WARRANTY	2 Years