



radiantlighting

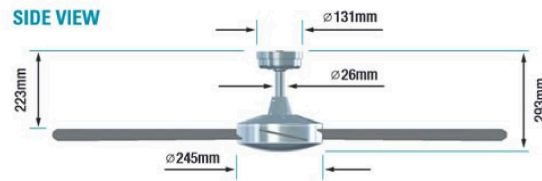
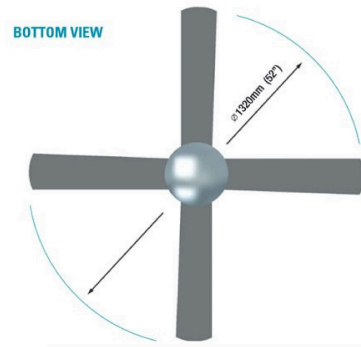
INTERCEPT 2

CEILING

HUNTER PACIFIC



PROJECT	
TYPE	
NOTES	



PRODUCT NAME	Intercept 2
DESIGNER	Hunter Pacific
MANUFACTURER	Hunter Pacific
PRODUCT CODE	79-300 (White) 79-A2302 (Black) 79-302 (Brushed Aluminium)
DETAILS	<ul style="list-style-type: none"> - Modern timeless design - 3 speed wall control supplied - High quality plywood blades - Die cast aluminium body - Features a Summer Winter switch to allow for reverse air movement - Suitable Indoor and outdoor <i>(provided the fan is fully undercover)</i>

FINISHES	White / Black / Brushed Aluminium
DIMENSIONS	52" Blade x 293 (H)
MATERIAL	Aluminium Body / Timber Blades
WARRANTY	2 years 'in-home' warranty on non-user replaceable parts 5 years warranty on user replaceable parts
CATEGORY	Ceiling