

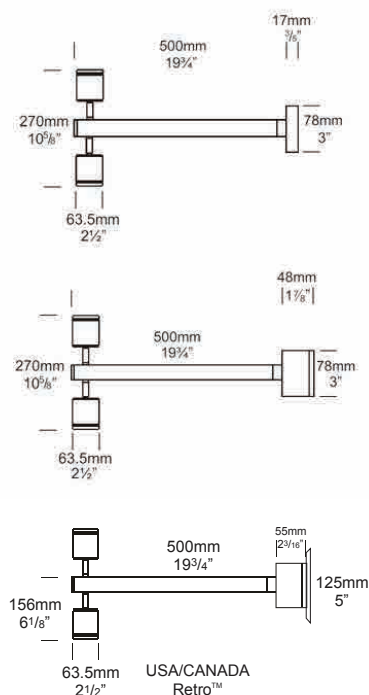
TWIN SIGN LITE

OUTDOOR

BY HUNZA



PROJECT	
TYPE	
NOTES	



PRODUCT NAME	Twin Sign Lite
DESIGNER	Hunza
MANUFACTURER	Hunza
PRODUCT CODE	73-1400 (Black) 73-1401 (Copper) 73-1401GU10 (Copper, GU10) 73-1405 (Stainless Steel) 73-3251 (Copper, Retro)
CATEGORY	Outdoor
MATERIAL	Solid Copper 316 Stainless Steel Powder-coated Aluminium
BEAM ANGLES	15°, 25°, 38°, 60°

LIGHT SOURCE	MR16 LED 7.5W 12V
OTHER LAMP OPTIONS	GU10 LED 7.5W 240V
FINISHES	Black / Copper / Stainless Steel
DIMENSIONS	Refer to line drawings
IP	66
ORIGIN	New Zealand
WARRANTY	Electronics = 5 years Body Cop/ SS = 10 years Body Aluminium = 5 years