



radiantlighting

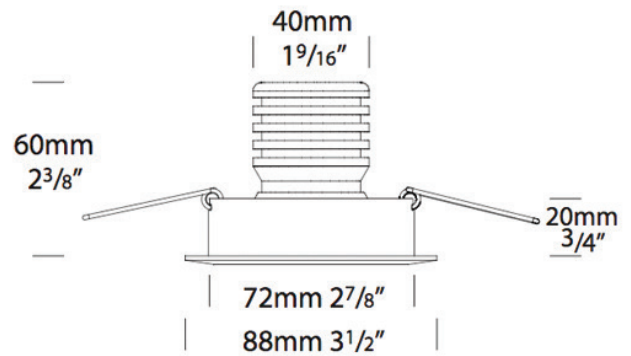
TILTING EAVE 6W

OUTDOOR

BY HUNZA



PROJECT	
TYPE	
NOTES	



PRODUCT NAME	Tilting Eave 6W
DESIGNER	HUNZA
MANUFACTURER	HUNZA
PRODUCT CODE	73-470 (Black) 73-471 (White) 73-472 (Solid Copper) 73-473 (Stainless Steel)
CATEGORY	Outdoor & Ceiling
MATERIAL	Aluminium Powder Coated Solid Copper 316 Stainless Steel
LIGHT SOURCE	LED 6W
CRI	85+
LUMENS	600 Lumens @ 1050mA (6 watts)

FINISHES	Black White Solid Copper 316 Stainless Steel
DIMENSIONS	Ø 88 x 60 (H) mm
IP	66
ORIGIN	New Zealand
WARRANTY	Electronics = 5 years Flange Cop / SS = 10 years Body Aluminium = 5 years