



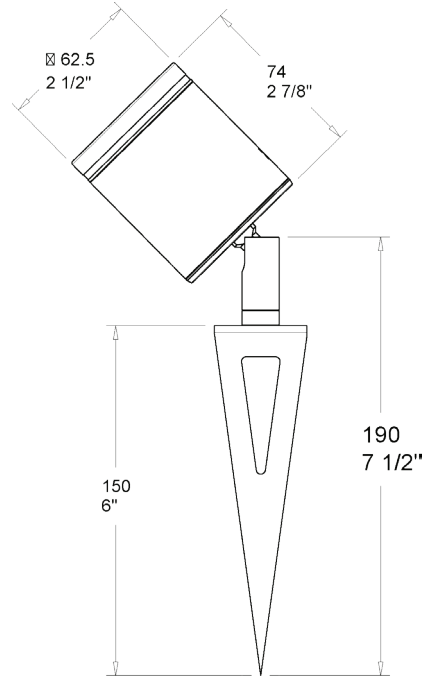
radiantlighting

SPIKE SPOT ADJUSTABLE STAKE MOUNT **OUTDOOR**

BY HUNZA



PROJECT	
TYPE	
NOTES	



PRODUCT NAME	Spike Spot Adjustable Stake Mount
DESIGNER	HUNZA
MANUFACTURER	HUNZA
PRODUCT CODE	73-20ST (E-coat black) 73-28ST (E-coat bronze) 73-23ST (E-coat green) 73-26ST (E-coat corten) 73-27ST (E-coat metallic silver) 73-29ST (E-coat silver star) 73-21ST (solid copper) 73-22ST (stainless steel)
CATEGORY	Outdoor
MATERIAL	Solid Copper, 316 Stainless Steel, Powder-coated Aluminium
LIGHT SOURCE	MR16 LED 7.5W

FINISHES	E-Coat Black, E-Coat Black, E-Coat Bronze, E-Coat Green, E-Coat Metallic Silver, E-Coat Silver Star, Solid Copper, 316 Stainless Steel
DIMENSIONS	62.5 x (H) 74 + 190 mm (Spike & Knurl)
IP	66
ORIGIN	New Zealand
WARRANTY	5 years - E-Coat Aluminium 10 years - Stainless Steel / Solid Copper