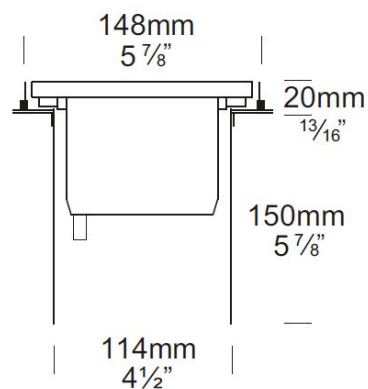


PROJECT	
TYPE	
NOTES	

DRIVEWAY LITE

OUTDOOR

BY HUNZA



PRODUCT NAME	Driveway Lite	FINISHES	Solid Bronze 316 Stainless Steel
DESIGNER	HUNZA	DIMENSIONS	Ø 148 x h 20 mm + 150 mm
MANUFACTURER	HUNZA	IP	66 (<i>*Not for use in pools or ponds</i>)
PRODUCT CODE	73-55 (Bronze) 73-56 (Stainless Steel) 73-55R (Body only)	BEAM ANGLES	15°, 25°, 38°, 60°
CATEGORY	Outdoor	ORIGIN	New Zealand
MATERIAL	Solid Bronze 316 Stainless Steel	WARRANTY	Electronics = 5 years Flange SBZ/SS = 10 years Body Aluminium = 5 years
LIGHT SOURCE	Soraa MR16 LED 7.5W		