



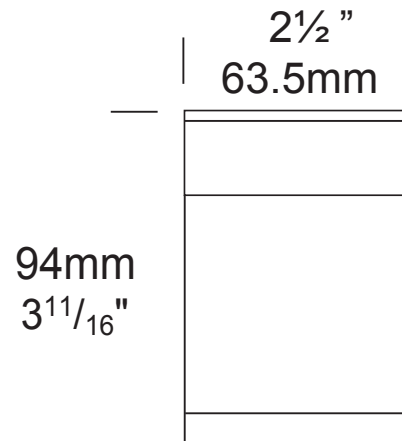
radiantlighting

DOWN LITE CEILING MOUNT OUTDOOR

BY HUNZA



| | |
|----------------|--|
| PROJECT | |
| TYPE | |
| NOTES | |



| | |
|---------------------------|--|
| PRODUCT NAME | Down Lite Ceiling Mount |
| DESIGNER | HUNZA |
| MANUFACTURER | HUNZA |
| PRODUCT CODE | 73-375GU (Stainless Steel GU10) 73-373GU (White GU10) 73-371GU (Solid Copper GU10) 73-370GU (Black GU10) *other codes available upon request |
| CATEGORY | Outdoor |
| MATERIAL | Solid Copper / Stainless Steel / Aluminium |
| LED CHIP | Cree XHP-50-2 Plug and Play field replaceable LED board |
| OTHER LAMP OPTIONS | LED MR16 12V 7.5w LED MR16 GU 240V 7.5W Pure LED |

| | |
|---------------------|--|
| LUMEN OUTPUT | 600 Lumens @ 1050mA (6 watts) 420 Lumens @ 700mA (4 watts) 240 Lumens @ 350mA (2 watts) |
| BEAM ANGLES | 15°, 25°, 38°, 60° |
| FINISHES | Black White Birch Bronze Dark Grey Olive Green Silver Star White Corten |
| DIMENSIONS | Ø 63.5 x 94 mm |
| IP | 66 |
| ORIGIN | New Zealand |
| WARRANTY | Electronics = 5 years Body Cop/ SS = 10 years Body Aluminium = 5 years |