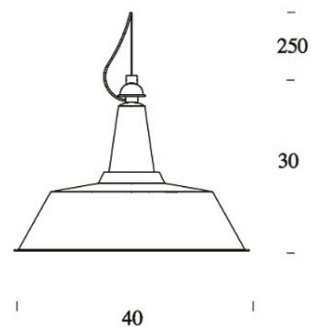


<b>PROJECT</b>	
<b>TYPE</b>	
<b>NOTES</b>	

## HUNA

## SUSPENSION

BY FONTANA ARTE



<b>PRODUCT NAME</b>	Huna
<b>DESIGNER</b>	Fontana Arte Design Lab
<b>MANUFACTURER</b>	Fontana Arte
<b>CATEGORY</b>	Suspension
<b>MATERIAL</b>	Metal Frame   Steel Cable
<b>PRODUCT CODE</b>	3-5059AN (Aluminium) 3-5059N (Black)
<b>DIMMABLE</b>	Dependant on bulb

<b>LIGHT SOURCE</b>	Fluorescent 1 x 20W E27 Halogen 1 x 140W Eco Saver
<b>FINISHES</b>	Aluminium   Black
<b>IP</b>	20
<b>DIMENSIONS</b>	Ø 40 x 30 (H) + 250 cm
<b>ORIGIN</b>	Italy
<b>WARRANTY</b>	1 Year