

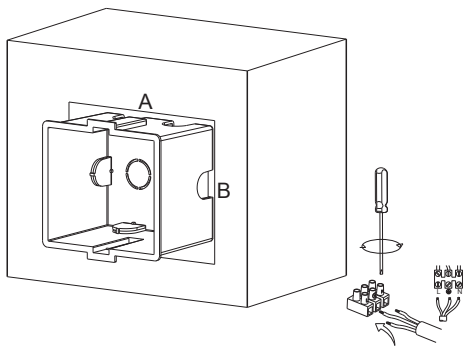
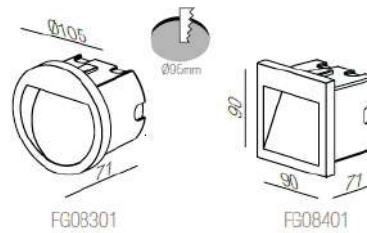
⚠ CAUTION - light fitting must be installed by a licensed electrician.

- Please ensure to read instructions correctly for the installation of the fitting provided. Failure to do so will result in a void of warranty and compromises the safety of luminaire.
- Radiant Lighting are not liable for warranties when luminaire is damaged by incorrect installation. The installation of the luminaires must be in accordance with the national safety regulations.

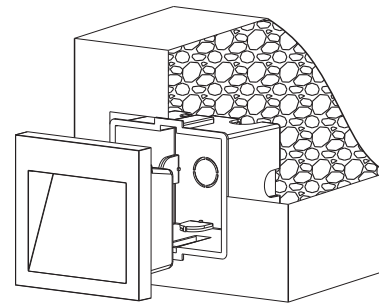
Please refer to Radiant Lighting's General Terms & Conditions for more information concerning the installation and warranty of our products.

Installation Instructions:

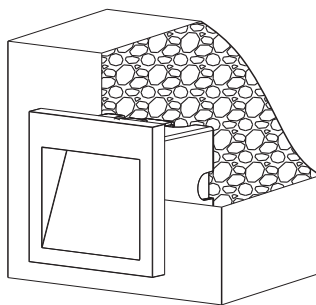
Luminaire	Cut-out dimension	A*B
Step Round	Φ95 mm	
Step Square	80X80 mm	



1. Cut a hole with the dimensions Φ 95mm (or 80 x 80mm for square) and fix canister into wall.



2. Connect wires in parallel and make sure all joins are made to keep the IP rating of the luminaire.



3. Insert luminaire into wall box.

Category	Wall Light	CRI	80+
Power	3W	Material	Aluminium / Glass / PVC
IP Rating	65	Warranty	3 Years



For warranty information please visit radiantlighting.com.au/warranty