

The FAZE STEP SQUARE is a modern fitting with subtle light; perfect for stairs, steps and hallways. Having an IP rating of 54, these fittings are suitable for both external and internal applications. As the STEP fittings are conveniently designed with built-in 240V drivers, the installation process is an absolute breeze.

FEATURES

- + IP 54 - Suitable for indoor and outdoor applications
- + 90° beam angle, perfect for step lighting
- + PVC wall box included for easy installation
- + Compatible with remote Casambi CBU-TED Bluetooth Controllable Dimmer (71-CASCBU)



GENERAL SPECIFICATIONS

LED	3W
Lumens	105 lm (3000K) 110 lm (4000K)
Efficacy	35 lm/w (3000K) 36 lm/w (4000K)
Colour	<input type="checkbox"/> 3000K, Warm White <input type="checkbox"/> 4000K, Cool White
Material	Aluminium Glass PVC
Finish	White Anthracite
Beam	90°
CRI	80+
IP	54
Colour Deviation	SDCM ≤3
Lifetime	>55,000hrs L80 B10
Warranty	3 Years (not recommended for coastal areas)

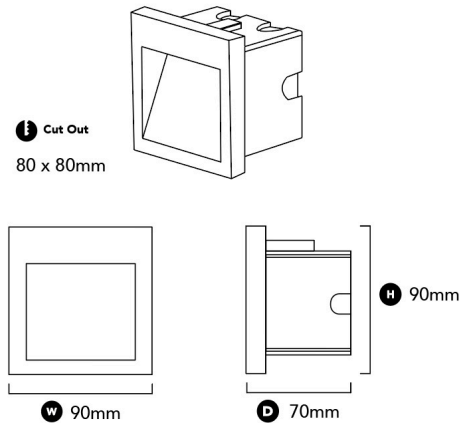
PROJECT DETAILS

PROJECT: _____

TYPE: _____

NOTES: _____

DIMENSIONS (mm)



DRIVER SPECIFICATIONS

Power	350mA 240V Built-In Driver
Dimming	Non-Dimming
Power Factor	> 0.90

PRODUCT CODES

White, 3000K	11-ST53W3
White, 4000K	11-ST53W4
Anthracite, 3000K	11-ST53A3
Anthracite, 4000K	11-ST53A4