

## PROJECT DETAILS

PROJECT:

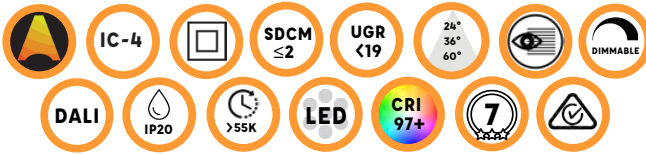
TYPE:

NOTES:



## FEATURES

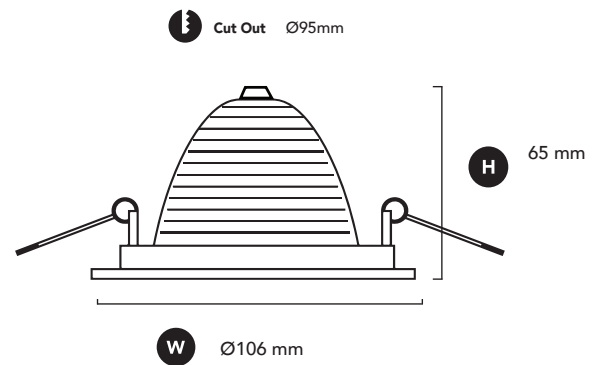
- + Precision reflector with clear lens - for better light distribution.
- + Adjustable up to 40° and rotatable up to 350°
- + Specially designed heat sink - for class leading heat dissipation.
- + Suitable for concrete install with concrete canister (*ordered separately*)
- + Flicker-free Driver
- + Black baffle design - eliminates glare for optimum visual comfort.
- + Compatible with remote Casambi CBU-TED Bluetooth Controllable Dimmer (71-CASCBU) & with Casambi BasicDim Driver 11W (71-CAS300)



## GENERAL SPECIFICATIONS

<b>LED</b>	11W *operating wattage 12W
<b>Lumens</b>	965 lm (3000K)   1014 lm (4000K)
<b>Efficacy</b>	75 lm/w (3000K)   79 lm/w (4000K)
<b>Colour Temperature</b>	<input type="checkbox"/> 3000K, Warm White <input type="checkbox"/> 4000K, Cool White
<b>Material</b>	Powder Coated Aluminium
<b>Finish</b>	White   Black
<b>Beam</b>	24°   36°   60°
<b>CRI</b>	97+
<b>IP</b>	20
<b>Colour Deviation</b>	SDCM ≤2
<b>UGR</b>	<19
<b>Lifetime</b>	>55,000hrs L80 B10
<b>Warranty</b>	7 Years

## DIMENSIONS (mm)



## DRIVER SPECIFICATIONS

**L 98 x W 38 x H 24 mm**

<b>Power</b>	300mA 240V Remote, Flicker Free Dimmable Driver
<b>Dimming</b>	Phase Cut Dimming
<b>Power Factor</b>	> 0.90

***DALI dimming available upon request***

## PRODUCT CODES

White, 3000K, 60°	<b>118-PR7AR11W603</b>
White, 4000K, 60°	<b>118-PR7AR11W604</b>
Black, 3000K, 60°	<b>118-PR7AR11B603</b>
Black, 4000K, 60°	<b>118-PR7AR11B604</b>

## REFLECTOR CODES

24° Reflector	<b>118-RFLA24</b>
36° Reflector	<b>118-RFLA36</b>

*Please Note: When using C-Bus, use universal or trailing edge dimming modules*

