



PROJECT DETAILS

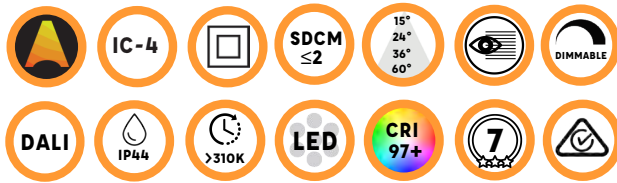
PROJECT:

TYPE:

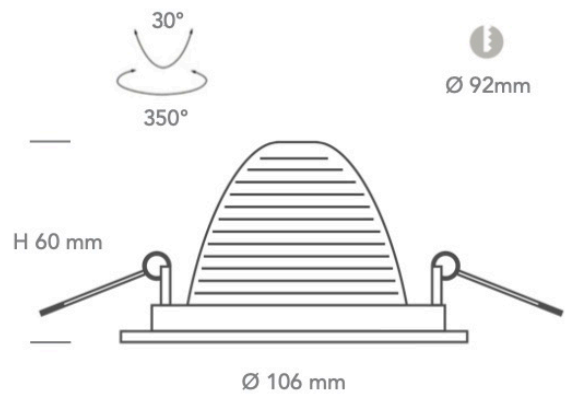
NOTES:

FEATURES

- + Precision reflector with clear lens - for better light distribution
- + Adjustable up to 30° and rotatable up to 350°
- + Specially designed heat sink - for class leading heat dissipation.
- + Flicker-free Driver
- + Black baffle design - eliminates glare for optimum visual comfort.
- + Compatible with remote Casambi CBU-TED Bluetooth Controllable Dimmer (71-CASCBU) & with Casambi BasicDim Driver 11W (71-CAS300)



DIMENSIONS (mm)



GENERAL SPECIFICATIONS

LED	11W *operating wattage 12W
Lumens	800 lm
Colour	<input type="checkbox"/> 3000K, Warm White <input type="checkbox"/> 4000K, Cool White
Efficacy	72 lm/w
Beam	15° 24° 36° 60°
Material	Powder Coat Aluminium
CRI	97+
Finish	White Black
IP	44
Colour Deviation	SDCM ≤2
Lifetime	L70 >100,000hrs
Warranty	7 Years

DRIVER SPECIFICATIONS

L 98 x W 38 x H 24 mm

Power	240V Remote Flicker Free Dimmable Driver
Dimming	Phase Cut Dimming
Power Factor	> 0.90

DALI dimming available upon request

PRODUCT CODES

White, 3000K, 60°	118-PR7AR11W603
White, 4000K, 60°	118-PR7AR11W604
Black, 3000K, 60°	118-PR7AR11B603
Black, 4000K, 60°	118-PR7AR11B604

REFLECTOR CODES

15° Reflector	118-RFLP15
24° Reflector	118-RFLP24
36° Reflector	118-RFLP36

Please Note: When using C-Bus, use universal or trailing edge dimming modules

