

EDGE 135



A clean finish every time - the EDGE 135 downlight is a larger version of the Edge 110, ideal for commercial projects. Utilising advanced LED engines, the Edge 135 achieves unmatched illumination with a fraction of the energy.

FEATURES

- + Adjustable head up to 25°
- + Ideal for commercial projects
- + Precision reflector with clear lens - for better light distribution and performance
- + Specially designed heat sink - for class leading heat dissipation
- + Deep set lamp position - for visual comfort and glare control
- + Suitable for concrete install with concrete canister (ordered separately)
- + Compatible with remote Casambi CBU-TED Bluetooth Controllable Dimmer (71-CASCBU) & with Casambi BasicDim Driver 71-CAS600



GENERAL SPECIFICATIONS

LED	25W
Lumens	2250 lm (3000K) 2342 lm (4000K)
Colour	<input type="checkbox"/> 3000K, Warm White <input type="checkbox"/> 4000K, Cool White
Efficacy	90 lm/w (3000K) 92 lm/w (4000K)
Beam	15° 24° 36° 60°
Material	Powder Coat Aluminium
CRI	92+
Finish	White Black
IP	44
Colour Deviation	SDCM ≥2
Lifetime	100,000hrsL70
UGR	<19
Warranty	7 Years

Please Note: When using C-Bus, use universal or trailing edge dimming modules

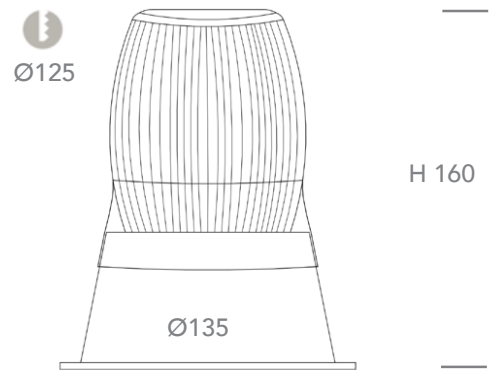
PROJECT DETAILS

PROJECT: _____

TYPE: _____

NOTES: _____

DIMENSIONS (mm)



DRIVER SPECIFICATIONS

L 104 x W 43 x H 24mm

Power	240V Remote Flicker Free Dimmable Driver
Dimming	Phase Cut Dimming
Power Factor	> 0.90

DALI dimming available upon request

PRODUCT CODE

White, 3000K, 60°	118-ED2C25W603
White, 4000K, 60°	118-ED2C25W604
Black, 3000K, 60°	118-ED2C25B603
Black, 4000K, 60°	118-ED2C25B604

REFLECTOR CODES

15° Reflector	118-RFLE15
24° Reflector	118-RFLE24
36° Reflector	118-RFLE36