



A clean finish every time - the EDGE 110 downlight features a wider trim for ease of install, especially when recessed into concrete ceilings. Utilising advanced LED engines to achieve unmatched illumination with a fraction of the energy.

## FEATURES

- + Adjustable head up to 25°
- + Precision reflector with clear lens - for better light distribution and performance.
- + Specially designed heat sink - for class leading heat dissipation.
- + Deep set lamp position - for visual comfort and glare control.
- + Suitable for concrete install with concrete canister. (ordered separately)
- + Compatible with remote Casambi CBU-TED Bluetooth Controllable Dimmer (71-CASCBU) & with Casambi BasicDim Driver 13W (71-CAS350)

**Please Note:** When using C-Bus, use universal or trailing edge dimming modules



## GENERAL SPECIFICATIONS

<b>LED</b>	13W *operating wattage 14.8
<b>Lumens</b>	1170 lm (3000K)   1320 lm (4000K)
<b>Colour</b>	<input type="checkbox"/> 3000K, Warm White <input type="checkbox"/> 4000K, Cool White
<b>Efficacy</b>	90 lm/w (3000K)   101 lm/w (4000K)
<b>Beam</b>	15°   36°   60°
<b>Material</b>	Powder Coat Aluminium
<b>CRI</b>	92+
<b>Finish</b>	White   Black
<b>IP</b>	44
<b>Colour Deviation</b>	SDCM ≥2
<b>Lifetime</b>	100,000hrsL70
<b>Warranty</b>	7 Years

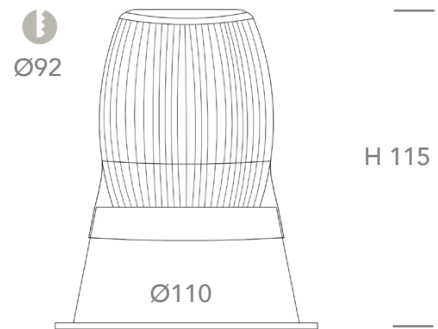
## PROJECT DETAILS

PROJECT:

TYPE:

NOTES:

## DIMENSIONS (mm)



## DRIVER SPECIFICATIONS

L 104 x W 43 x H 24mm

<b>Power</b>	240V Remote Dimmable Driver
<b>Dimming</b>	Phase Cut Dimming
<b>Power Factor</b>	> 0.90

## PRODUCT CODE

White, 3000K, 15°	<b>118-ED2W13W153</b>
White, 3000K, 36°	<b>118-ED2W13W363</b>
White, 3000K, 60°	<b>118-ED2W13W603</b>
White, 4000K, 15°	<b>118-ED2W13W154</b>
White, 4000K, 36°	<b>118-ED2W13W364</b>
White, 4000K, 60°	<b>118-ED2W13W604</b>
Black, 3000K, 15°	<b>118-ED2W13B153</b>
Black, 3000K, 36°	<b>118-ED2W13B363</b>
Black, 3000K, 60°	<b>118-ED2W13B603</b>
Black, 4000K, 15°	<b>118-ED2W13B154</b>
Black, 4000K, 36°	<b>118-ED2W13B364</b>
Black, 4000K, 60°	<b>118-ED2W13B604</b>