

PROJECT:

TYPE:

NOTES:



Perfectly balanced - the EDGE 100 downlight features a trimless, concave design and deep set lamp position, its very discreet. Utilising advanced LED engines to achieve unmatched illumination with a fraction of the energy.

FEATURES

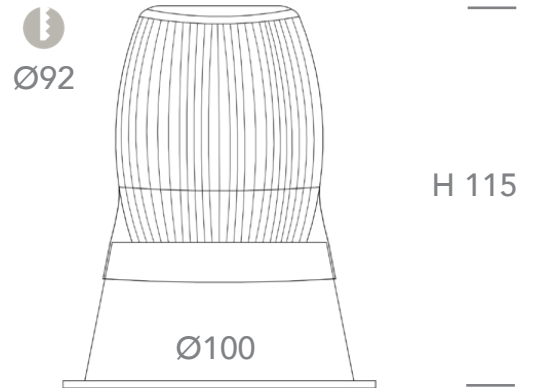
- + Adjustable head up to 25°
- + Precision reflector with clear lens - for better light distribution and performance.
- + Specially designed heat sink - for class leading heat dissipation. IC-4 rated.
- + Deep set lamp position - for visual comfort and glare control.



GENERAL SPECIFICATIONS

LED	13W *operating wattage 14.8
Lumens	1182 lm (3000K) 1241 lm (4000K)
Colour	<input type="checkbox"/> 3000K, Warm White <input type="checkbox"/> 4000K, Cool White
Efficacy	79 lm/w (3000K) 84 lm/w (4000K)
Beam	36° 60°
Material	Powder Coat Aluminium
CRI	92+
Finish	White Black
IP	44
Colour Deviation	SDCM ≥2
Lifetime	318,000hrsL70
Warranty	7 Years

DIMENSIONS (mm)



DRIVER SPECIFICATIONS

L 104 x W 43 x H 24mm

Power	240V Remote Dimmable Driver
Dimming	Phase Cut Dimming
Power Factor	> 0.90

PRODUCT CODE

White, 3000K, 36°	118-ED2L13W363
White, 3000K, 60°	118-ED2L13W603
White, 4000K, 36°	118-ED2L13W364
White, 4000K, 60°	118-ED2L13W604
Black, 3000K, 36°	118-ED2L13B363
Black, 3000K, 60°	118-ED2L13B603
Black, 4000K, 36°	118-ED2L13B364
Black, 4000K, 60°	118-ED2L13B604

