

PROJECT:

TYPE:

NOTES:



Perfectly balanced - the EDGE 100 downlight features a trimless, concave design and deep set lamp position, its very discreet. Utilising advanced LED engines to achieve unmatched illumination with a fraction of the energy.

### FEATURES

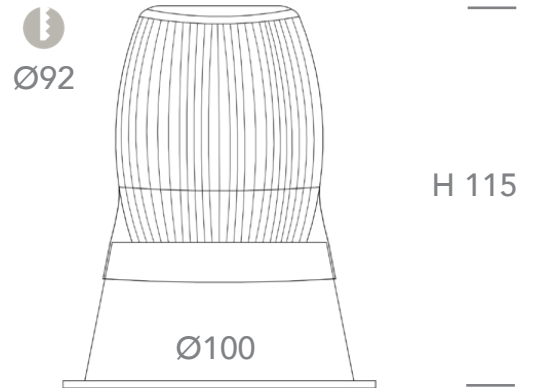
- + Adjustable head up to 25°
- + Precision reflector with clear lens - for better light distribution and performance.
- + Specially designed heat sink - for class leading heat dissipation. IC-4 rated.
- + Deep set lamp position - for visual comfort and glare control.



### GENERAL SPECIFICATIONS

<b>LED</b>	13W *operating wattage 14.8
<b>Lumens</b>	1182 lm (3000K)   1241 lm (4000K)
<b>Colour</b>	<input type="checkbox"/> 3000K, Warm White <input type="checkbox"/> 4000K, Cool White
<b>Efficacy</b>	79 lm/w (3000K)   84 lm/w (4000K)
<b>Beam</b>	36°   60°
<b>Material</b>	Powder Coat Aluminium
<b>CRI</b>	92+
<b>Finish</b>	White   Black
<b>IP</b>	44
<b>Colour Deviation</b>	SDCM ≥2
<b>Warranty</b>	7 Years

### DIMENSIONS (mm)



### DRIVER SPECIFICATIONS

**L 104 x W 43 x H 24mm**

<b>Power</b>	240V Remote Dimmable Driver
<b>Dimming</b>	Phase Cut Dimming
<b>Power Factor</b>	> 0.90

### PRODUCT CODE

White, 3000K, 36°	<b>118-ED2L13W363</b>
White, 3000K, 60°	<b>118-ED2L13W603</b>
White, 4000K, 36°	<b>118-ED2L13W364</b>
White, 4000K, 60°	<b>118-ED2L13W604</b>
Black, 3000K, 36°	<b>118-ED2L13B363</b>
Black, 3000K, 60°	<b>118-ED2L13B603</b>
Black, 4000K, 36°	<b>118-ED2L13B364</b>
Black, 4000K, 60°	<b>118-ED2L13B604</b>

