



The sleek, minimal, geometric design of the CUBIX SQUARE wall light is equally suited for indoor and outdoor spaces.

## FEATURES

- + High grade aluminium housing - resists corrosion from moisture and salt
- + IP 65 - Suitable for outdoor application
- + Two directional light output
- + Available in three finishes



## GENERAL SPECIFICATIONS

<b>LED</b>	9W
<b>Lumens</b>	800 lm (3000K)
<b>Colour</b>	<span style="display: inline-block; width: 15px; height: 15px; background-color: #f5deb3; border: 1px solid #ccc;"></span> 3000K, Warm White
<b>Efficacy</b>	88 lm/w (3000K)
<b>Beam</b>	80°
<b>Material</b>	Powder Coat Aluminium
<b>CRI</b>	90+
<b>Finish</b>	Sand White   Sand Black   Silver
<b>IP</b>	65
<b>Colour Deviation</b>	SDCM ≥2
<b>Warranty</b>	3 Years

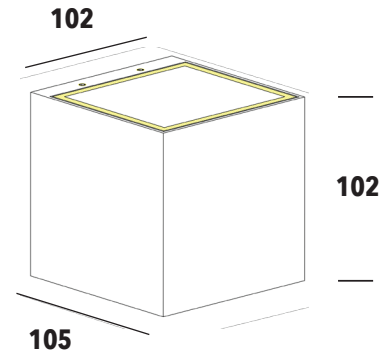
## PROJECT DETAILS

PROJECT:

TYPE:

NOTES:

## DIMENSIONS (mm)



## DRIVER SPECIFICATIONS

<b>Power</b>	240V Built-In Driver
<b>Dimming</b>	Phase Cut Dimming
<b>Power Factor</b>	> 0.90

## PRODUCT CODE

Sand White	<b>83-CBX59NMSW</b>
Sand Black	<b>83-CBX5NMSB</b>
Silver	<b>83-CBX59NMS</b>