



Minimal, functional and versatile. The AIR SURFACE provides an ideal solution for accent lighting in both residential and commercial spaces.

FEATURES

- + High CRI
- + High quality aluminium housing
- + Adjustable 90° | Rotatable 350°
- + Available in different beam angles
- + Compatible with remote Casambi CBU-TED Bluetooth Controllable Dimmer (71-CASCBU)



GENERAL SPECIFICATIONS

LED	12W
Lumens	985 lm (at 3000K) 1040 lm (at 4000K)
Efficacy	69 lm/w (3000K) 75 lm/w (4000K)
Colour Temperature	<input type="checkbox"/> 3000K, Warm White <input type="checkbox"/> 4000K, Cool White
Material	Powder Coated Aluminium
Finish	White Black
Beam	36° 50°
CRI	90+
IP	20
Colour Deviation	SDCM ≤3
UGR	<17
Lifetime	>55,000hrs L80 B10
Warranty	3 Years

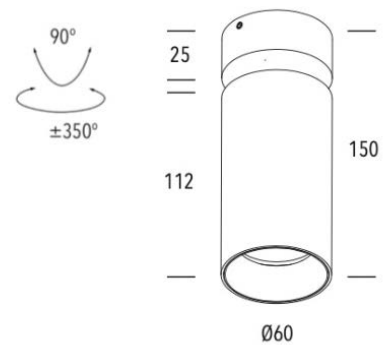
PROJECT DETAILS

PROJECT:

TYPE:

NOTES:

DIMENSIONS (mm)



DRIVER SPECIFICATIONS

Power	350mA 240V Built-In Dimmable Driver
Dimming	Phase Cut Dimming
Power Factor	> 0.90

PRODUCT CODES

White, 3000K, 50°	83-AIR512W503
White, 4000K, 50°	83-AIR512W504
Black, 3000K, 50°	83-AIR512B503
Black, 4000K, 50°	83-AIR512B504

ACCESSORY CODES

36° Reflector	83-RFL36
Honeycomb Lens	83-AIRH
Black Ring	83-AIRRB
Gold Ring	83-AIRRG
White Ring	83-AIRRW