



Minimal, functional and versatile. The AIR SURFACE provides an ideal solution for accent lighting in both residential and commercial spaces.

## FEATURES

- + High CRI
- + High quality aluminium housing
- + Adjustable 90° | Rotatable 350°
- + Available in different beam angles



## GENERAL SPECIFICATIONS

<b>LED</b>	12W
<b>Lumens</b>	964 (at 3000K)   1356 (at 4000K)
<b>Colour</b>	<input type="checkbox"/> 3000K, Warm White <input type="checkbox"/> 4000K, Cool White
<b>Efficacy</b>	80 lm/w (3000K)   113 lm/w (4000K)
<b>Beam</b>	35°   52°
<b>Material</b>	Powder Coat Aluminium
<b>CRI</b>	90+
<b>Finish</b>	Sand White   Sand Black
<b>IP</b>	20
<b>Colour Deviation</b>	SDCM ≥3
<b>Warranty</b>	3 Years
<b>Baffle Options</b>	White   Gold   Black
<b>Accessories</b>	Honeycomb Lens

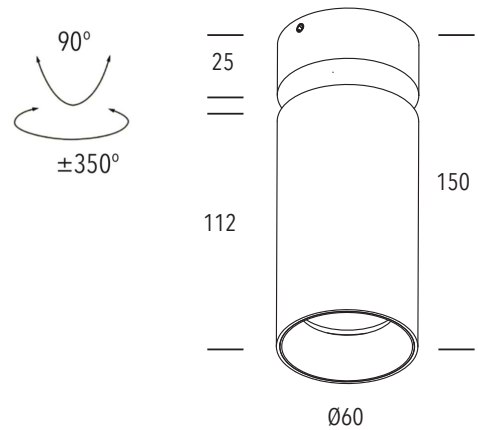
## PROJECT DETAILS

PROJECT:

TYPE:

NOTES:

## DIMENSIONS (mm)



## DRIVER SPECIFICATIONS

<b>Power</b>	240V Built-in Driver
<b>Dimming</b>	Phase Cut Dimming
<b>Power Factor</b>	> 0.90

## PRODUCT CODE

White, 3000K, 35°	<b>83-AIRS12W353K</b>
White, 3000K, 52°	<b>83-AIRS12W523K</b>
White, 4000K, 35°	<b>83-AIRS12W354K</b>
White, 4000K, 52°	<b>83-AIRS12W524K</b>
Black, 3000K, 35°	<b>83-AIRS12B353K</b>
Black, 3000K, 52°	<b>83-AIRS12B523K</b>
Black, 4000K, 35°	<b>83-AIRS12B354K</b>
Black, 4000K, 52°	<b>83-AIRS12B524K</b>

