



The STARLIGHT LED is perfect for illuminating window seats, artwork and feature walls. Its minuscule proportions allows it to fit into even the tiniest nook or cranny.

FEATURES

- + Available in 2 finishes
- + IP 65 - Suitable for outdoors and indoors.
- + Phase Cut Dimming



GENERAL SPECIFICATIONS

LED	3W
Lumens	150 lm (3000K)
Colour	<input type="checkbox"/> 3000K, Warm White <input type="checkbox"/> 4000K, Cool White
Efficacy	50 lm/w (3000K)
Beam	45°
Material	Powder Coat Aluminium
CRI	80+
Finish	White Anodised Aluminium
IP	65
Colour Deviation	SDCM ≥ 2
Warranty	3 Years

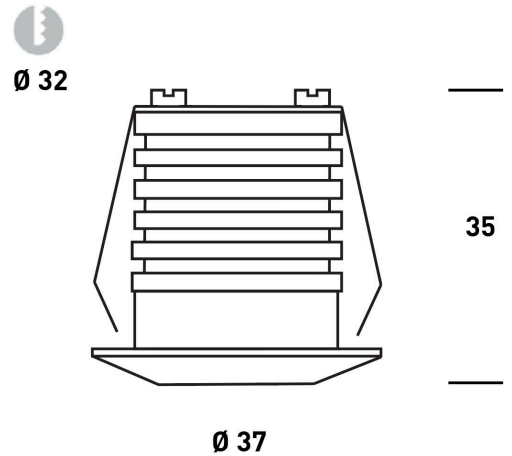
PROJECT DETAILS

PROJECT:

TYPE:

NOTES:

DIMENSIONS (mm)



DRIVER SPECIFICATIONS

L 100 x W 30 x H 23 mm

Power	240V Dimmable Driver (sold separately)
Dimming	Phase Cut Dimming
Power Factor	> 0.90

PRODUCT CODE

White, 3000K, 45°	118-SL2S03W453
White, 4000K, 45°	118-SL2S03W454
Aluminium, 3000K, 45°	118-SL2S03A453
Aluminium, 4000K, 45°	118-SL2S03A454

