

PROJECT:

TYPE:

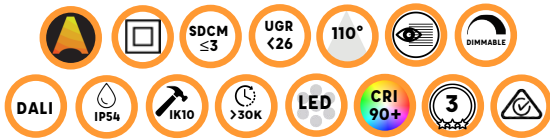
NOTES:



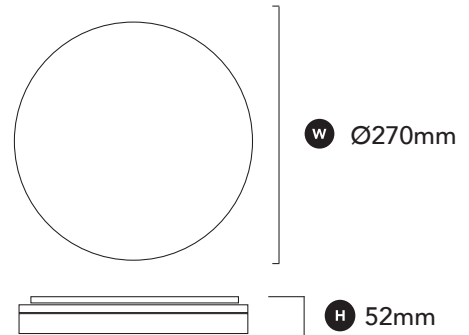
Introducing the LUCID T, with powerful illumination & advanced LED technology, a modern, minimal design allows it to fit into any residential or commercial space.

FEATURES

- + Switchable between 18W & 24W
- + Integrated, flicker free, dimmable driver
- + IP 54 - suitable for wet areas
- + Compatible with remote Casambi CBU-TED Bluetooth Controllable Dimmer (71-CASCBU)



DIMENSIONS (mm)



GENERAL SPECIFICATIONS

LED	18W / 24W
Lumens	18W: 2060 lm (3000K) 1995 lm (4000K) 24W: 2625 lm (3000K) 2530 lm (4000K)
Efficacy	18W: 112 lm/w (3000K) 109 lm/w (4000K) 24W: 108 lm/w (3000K) 104 lm/w (4000K)
Colour Temperature	<input type="checkbox"/> 3000K, Warm White <input type="checkbox"/> 4000K, Cool White
Material	PMMA Polycarbonate
Finish	White Black
Beam	110°
CRI	90+
IP	54
IK	10
Colour Deviation	SDCM ≤3
UGR	<26
Lifetime	>30,000hrs L70 B10
Warranty	3 Years

DRIVER SPECIFICATIONS

Power	240V Built-In Flicker Free Dimmable Driver
Dimming	Phase Cut Dimming
Power Factor	> 0.95

DALI dimming available upon request

PRODUCT CODE

White, 3000K	83-LCDT2724W3
White, 4000K	83-LCDT2724W4
Black, 3000K	83-LCDT2724B3
Black, 4000K	83-LCDT2724B4