



The high-performance Faze LITE MINI features the latest in LED technology with high lumen per watt efficacy and visually dynamic illumination.

FEATURES

- + Precision reflector with clear lens - for better light distribution and performance
- + Specially designed heat sink - for class leading heat dissipation
- + IP 44 - Suitable for wet areas
- + IC-4 rated
- + Compatible with remote Casambi CBU-TED Bluetooth Controllable Dimmer (71-CASCBU) & with Casambi BasicDim Driver 11W (71-CAS300)



GENERAL SPECIFICATIONS

| | |
|-------------------------|--|
| LED | 10W |
| Lumens | 870 lm (3000K) 1000 lm (4000K) |
| Colour | <input type="checkbox"/> 3000K, Warm White <input type="checkbox"/> 4000K, Cool White |
| Efficacy | 87 lm/w (3000K) 100 lm/w (4000K) |
| Beam | 36° 60° |
| Material | Powder Coat Aluminium |
| CRI | 92+ |
| Finish | White Black |
| IP | 44 |
| Colour Deviation | SDCM ≤2 |
| Lifetime | L70 >310,000hrs |
| Warranty | 5 Years |

Please Note: When using C-Bus, use universal or trailing edge dimming modules

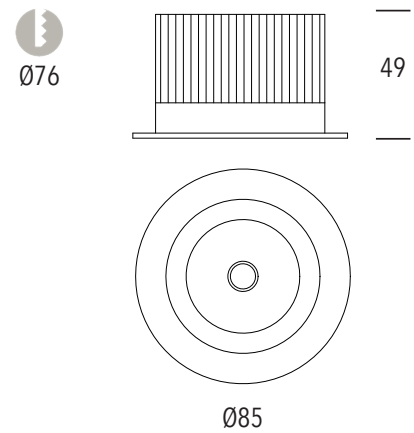
PROJECT DETAILS

PROJECT:

TYPE:

NOTES:

DIMENSIONS (mm)



DRIVER SPECIFICATIONS

L 104 x W 43 x H 24 mm

| | |
|---------------------|--------------------|
| Power | 240V Remote Driver |
| Dimming | Phase Cut Dimming |
| Power Factor | > 0.90 |

PRODUCT CODES

| | |
|-------------------|-----------------------|
| White, 3000K, 60° | 118-LI2M10W603 |
| White, 4000K, 60° | 118-LI2M10W604 |
| Black, 3000K, 60° | 118-LI2M10B603 |
| Black, 4000K, 60° | 118-LI2M10B604 |

REFLECTOR CODE

| | |
|---------------|-------------------|
| 36° Reflector | 118-RFLM36 |
|---------------|-------------------|