



The high-performance Faze LITE 125 features the latest in LED technology with high lumen per watt efficacy and visually dynamic illumination; ideal for large-scale commercial projects that require higher powered fittings.

FEATURES

- + Precision reactor with clear lens - for better light distribution and performance
- + Specially designed heat sink - for class leading heat dissipation
- + IP 44 - Suitable for wet areas
- + Compatible with remote Casambi CBU-TED Bluetooth Controllable Dimmer 71-CASCBU with Casambi BasicDim Driver 13W 71-CAS350



GENERAL SPECIFICATIONS

LED	25W
Lumens	2000 lm (3000K) 2100 lm (4000K)
Efficacy	78 lm/w (3000K) 81 lm/w (4000K)
Colour	<input type="checkbox"/> 3000K, Warm White <input type="checkbox"/> 4000K, Cool White
Material	Powder Coated Aluminium
Finish	White Black
Beam	36° 60°
CRI	92+
IP	44
Colour Deviation	SDCM ≤2
UGR	<21
Lifetime	>100,000hrs L80 B10
Warranty	5 Years

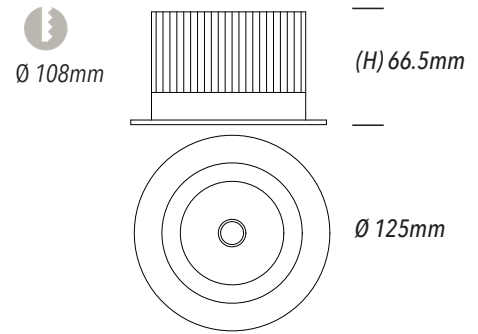
PROJECT DETAILS

PROJECT:

TYPE:

NOTES:

DIMENSIONS (mm)



DRIVER SPECIFICATIONS

L 104 x W 43 x H 24 mm

Power	600mA 240V Remote Dimmable Driver
Dimming	Phase Cut Dimming
Power Factor	> 0.90

DALI dimming available upon request

PRODUCT CODES

White, 3000K, 60°	118-LI2W25W603
White, 4000K, 60°	118-LI2W25W604
Black, 3000K, 60°	118-LI2W25B603
Black, 4000K, 60°	118-LI2W25B604

REFLECTOR CODE

36° Reflector **118-RFLXL36**

Please Note: When using C-Bus, use universal or trailing edge dimming modules