



# LINE OPAL



The LINE OPAL is as practical as it is stylish, it can be surface mounted or suspended; providing flexibility across both residential and commercial projects. If the four different lengths are not enough, you can connect them together and create your own.

## FEATURES

- + Surface mounted or suspended options
- + Specially designed ceiling canopy for fast installation and seamless design
- + Quick and easy connection system
- + Surface Mount option has 3mm detail from ceiling once installed



## GENERAL SPECIFICATIONS

|                         |  |
|-------------------------|--|
| <b>LED</b>              | 15W   30W   45W   60W  |
| <b>Lumens</b>           | 1000 lm   2000 lm   3000 lm   4000 lm (3000K)  |
| <b>Colour</b>           | <input type="checkbox"/> 3000K, Warm White<br><input type="checkbox"/> 4000K, Cool White |
| <b>Efficacy</b>         | Up to 88 lm/w (3000K)  |
| <b>Beam</b>             | 90°  |
| <b>Material</b>         | Aluminium  |
| <b>CRI</b>              | 90+  |
| <b>Finish</b>           | White   Black  |
| <b>IP</b>               | 40   |
| <b>Colour Deviation</b> | SDCM ≥3  |
| <b>Warranty</b>         | 5 Years  |
| <b>UGR</b>              | > 22   |

## ACCESSORIES

|                           |               |
|---------------------------|---------------|
| <b>Aluminium Joiners</b>  | 7-LI41CONNECT |
| <b>Surface Mount Clip</b> | 7-LI41CLIP    |

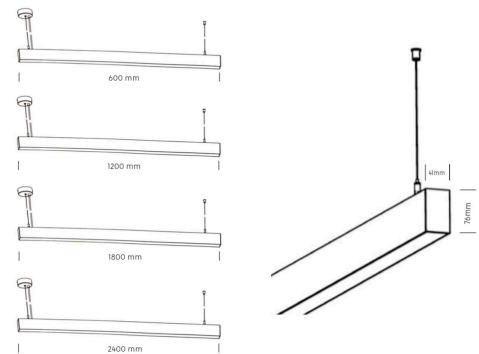
## PROJECT DETAILS

PROJECT:

TYPE:

NOTES:

## DIMENSIONS (mm)



## DRIVER SPECIFICATIONS

|                     |   |
|---------------------|---|
| <b>Power</b>        | 240V Built-In<br>Flicker Free<br>Driver |
| <b>Dimming</b>      | Phase Cut<br>Dimming                    |
| <b>Power Factor</b> | > 0.90                                  |

## PRODUCT CODE

|                           |                |
|---------------------------|----------------|
| 600mm, 15W, White, 3000K  | 7-LI410615W903 |
| 600mm, 15W, White, 4000K  | 7-LI410615W904 |
| 600mm, 15W, Black, 3000K  | 7-LI410615B903 |
| 600mm, 15W, Black, 4000K  | 7-LI410615B904 |
| 1200mm, 30W, White, 3000K | 7-LI411230W903 |
| 1200mm, 30W, White, 4000K | 7-LI411230W904 |
| 1200mm, 30W, Black, 3000K | 7-LI411230B903 |
| 1200mm, 30W, Black, 4000K | 7-LI411230B904 |
| 1800mm, 45W, White, 3000K | 7-LI411845W903 |
| 1800mm, 45W, White, 4000K | 7-LI411845W904 |
| 1800mm, 45W, Black, 3000K | 7-LI411845B903 |
| 1800mm, 45W, Black, 4000K | 7-LI411845B904 |
| 2400mm, 60W, White, 3000K | 7-LI412460W903 |
| 2400mm, 60W, White, 4000K | 7-LI412460W904 |
| 2400mm, 60W, Black, 3000K | 7-LI412460B903 |
| 2400mm, 60W, Black, 4000K | 7-LI412460B904 |

