

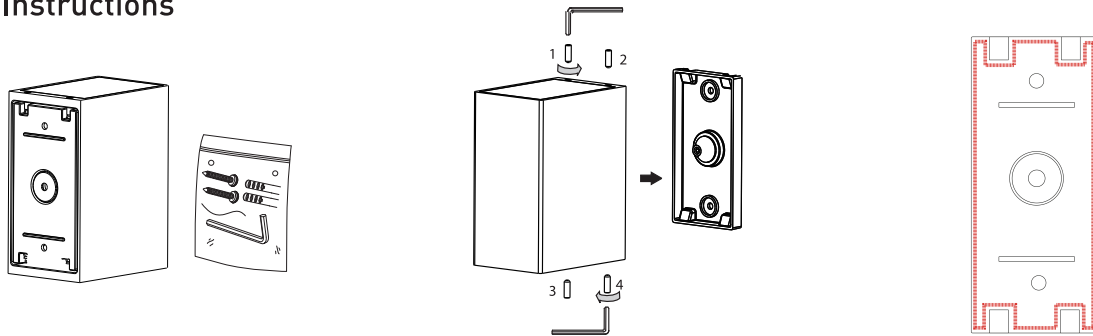
**⚠ CAUTION - light fitting must be installed by a licensed electrician.**

- Please ensure to read instructions correctly for the installation of the fitting provided. Failure to do so will result in a void of warranty and compromises the safety of luminaire.
- Radiant Lighting are not liable for warranties when luminaire is damaged by incorrect installation. The installation of the luminaires must be in accordance with the national safety regulations.

Please refer to Radiant Lighting's General Terms & Conditions for more information concerning the installation and warranty of our products.

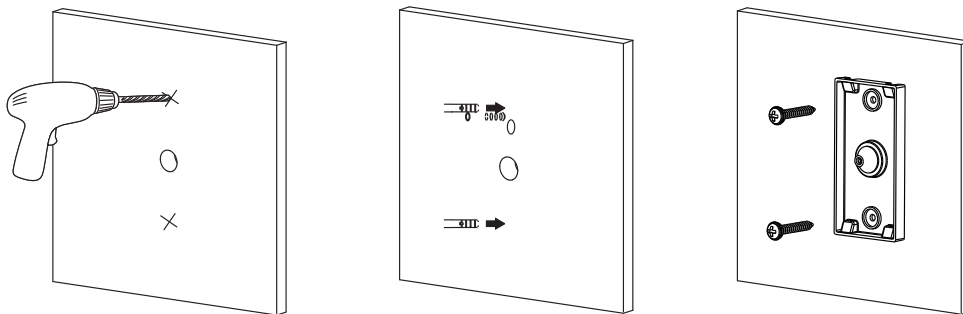
### Installation Instructions

#### STEP 1



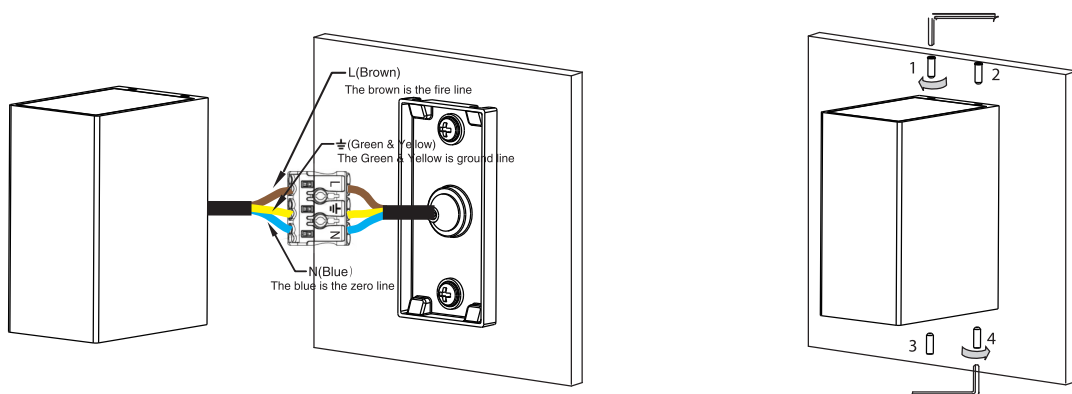
Remove back plate from fitting and apply silicone to outer side

#### STEP 2



Screw back plate to wall

#### STEP 3



Connect wires and attach fitting to the back plate

<b>Category</b>	Wall	<b>CRI</b>	84 +
<b>Power</b>	10W	<b>Material</b>	Powder Coat Aluminium
<b>IP Rating</b>	65	<b>Warranty</b>	3 Years



For warranty information please visit [radiantlighting.com.au/warranty](http://radiantlighting.com.au/warranty)

For all other queries, please call us on 1300 438 609