



The DASH linear downlight series delivers both flexibility and performance in any space. This recessed design is available in three sizes and two finishes.

FEATURES

- + Available in a 3-light, 5-light and 10-light.
- + Tiltable up to 30°
- + IC-4 rated
- + Flicker Free
- + High CRI



GENERAL SPECIFICATIONS

LED	6W 10W 20W
Lumens	6W: 370 lm (3000K) 400 lm (4000K) 10W: 600 lm (3000K) 670 lm (4000K) 20W: 1320 lm (3000K) 1400 lm (4000K)
Colour	<input type="checkbox"/> 3000K, Warm White <input type="checkbox"/> 4000K, Cool White
Efficacy	6W: 61 lm/w (3000K) 66 lm/w (4000K) 10W: 60 lm/w (3000K) 67 lm/w (4000K) 20W: 66 lm/w (3000K) 70 lm/w (4000K)
Beam	45°
Material	Powder Coat Aluminium
CRI	90+
Finish	White Black
IP	20
Colour Deviation	SDCM ≤3
Lifetime	L70 >100,000hrs
Warranty	5 Years

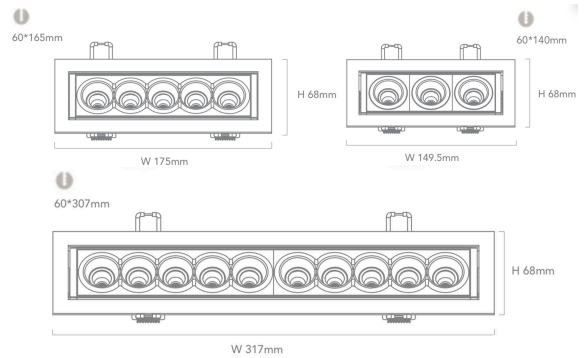
PROJECT DETAILS

PROJECT:

TYPE:

NOTES:

DIMENSIONS (mm)



DRIVER SPECIFICATIONS

L 104 x W 43 x H 24 mm

Power	240V Remote Flicker-Free Dimmable Driver
Dimming	Phase Cut Dimming
Power Factor	> 0.90

PRODUCT CODE

6W, White, 3000K	7-DA2S06W453
6W, White 4000K	7-DA2S06W454
6W, Black, 3000K	7-DA2S06B453
6W, Black, 4000K	7-DA2S06B454
10W, White, 3000K	7-DA2M10W453
10W, White, 4000K	7-DA2M10W454
10W, Black, 3000K	7-DA2M10B453
10W, Black, 4000K	7-DA2M10B454
20W, White, 3000K	7-DA2L20W453
20W, White, 4000K	7-DA2L20W454
20W, Black, 3000K	7-DA2L20B453
20W, Black, 4000K	7-DA2L20B454