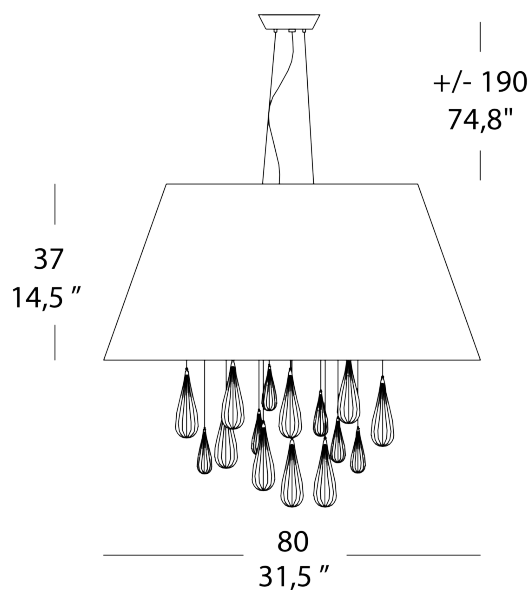


<b>PROJECT</b>	
<b>TYPE</b>	
<b>NOTES</b>	

## TEARS SO 80

SUSPENSION

BY EVISTYLE



<b>PRODUCT NAME</b>	Tears SO 80
<b>DESIGNER</b>	Stefano Mandruzzato
<b>MANUFACTURER</b>	Evistyle
<b>CATEGORY</b>	Suspension
<b>MATERIAL</b>	Creased Leather   Blown Glass
<b>PRODUCT CODE</b>	25-8210 (White/Silver) 25-8211 (Black/Gold)

<b>LIGHT SOURCE</b>	Halogen 6 x 42W G9 or 6 x 33W G9
<b>FINISHES</b>	White/Silver or Black/Gold
<b>DIMENSIONS</b>	Ø 80 x 37 (H) + 190 (S) cm
<b>IP</b>	20
<b>ORIGIN</b>	Italy
<b>WARRANTY</b>	2 years