



radiantlighting

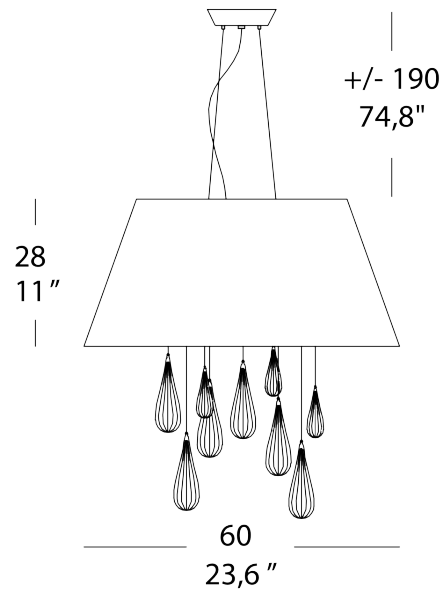
TEARS SO 60

SUSPENSION

BY EVISTYLE



PROJECT	
TYPE	
NOTES	



PRODUCT NAME	Tears SO 60
DESIGNER	Stefano Mandruzzato
MANUFACTURER	Evistyle
CATEGORY	Suspension
MATERIAL	Creased Leather Blown Glass
PRODUCT CODE	25-8205 (White/Silver) 25-8206 (Black/Gold)

LIGHT SOURCE	Halogen 4 x 42W G9
FINISHES	White/Silver or Black/Gold
DIMENSIONS	Ø 60 x 28 (H) + 190 (S) cm
IP	20
ORIGIN	Italy
WARRANTY	2 years