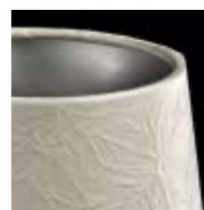
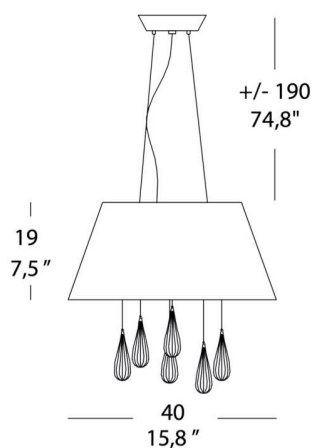


<b>PROJECT</b>	
<b>TYPE</b>	
<b>NOTES</b>	

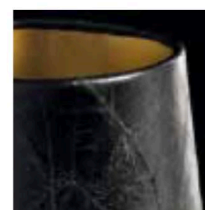
## TEARS SO 40

**SUSPENSION**

BY EVISTYLE



**AV:** Pelle bianca con interno argento.  
White leather with silver inside.



**NE:** Pelle nera con interno oro.  
Black leather with gold inside.

<b>PRODUCT NAME</b>	Tears SO 40	<b>LIGHT SOURCE</b>	3 x MAX 42W G9 a1o or 3 x MAX 3.5W G9 LED
<b>DESIGNER</b>	Stefano Mandruzzato	<b>FINISHES</b>	White/Silver or Black/Gold
<b>MANUFACTURER</b>	Evistyle	<b>DIMENSIONS</b>	Ø 40 x 19 (H) + 190 (S) cm
<b>CATEGORY</b>	Suspension	<b>IP</b>	20
<b>MATERIAL</b>	Creased Leather   Blown Glass	<b>ORIGIN</b>	Italy
<b>PRODUCT CODE</b>	25-8200 (White/Silver) 25-8201 (Black/Gold)	<b>WARRANTY</b>	2 years
<b>DIMMABLE</b>	No		