

PROJECT:

TYPE:

NOTES:



Dimmable built-in constant current LED Driver, for use with our FAZE Edge Mini, Pro Mini or Lite Mini Downlights.



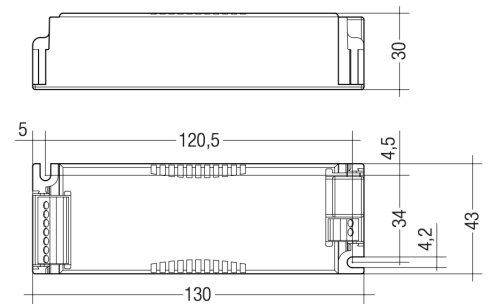
FEATURES

- + Can be either used build-in or independent with clip-on strain-relief
- + Forms automatically a wireless communication network with up to 250 nodes
- + Adjustable output current between 250 and 700 mA
- + Set to 300mA
- + Up to 86% efficiency

GENERAL SPECIFICATIONS

Product Code	71-CAS300
Rated Supply Voltage	220 - 240 V
AC Voltage Range	198 – 264 V
DC Voltage Range	176 – 280 V
Max. Output Power	17W
Output Current	Set at 300 mA
Dimming Range	1 - 100%
IP	20
Dimensions	130 x 43 x 30 mm
Lifetime	Up to 100,000hrs
Warranty	5 Years

DIMENSIONS (mm)



COMPATIBLE FITTINGS

FAZE

Edge Mini
Pro Mini Round
Pro Mini Square
Lite Mini

