



Dimmable built-in constant current LED Driver, for use with our FAZE 20W downlights.



## FEATURES

- + Can be either used build-in or independent with clip-on strain-relief
- + Forms automatically a wireless communication network with up to 250 nodes
- + Adjustable output current between 250 and 700 mA
- + Set to 600mA
- + Up to 86% efficiency

## GENERAL SPECIFICATIONS

<b>Product Code</b>	71-CAS600
<b>Rated Supply Voltage</b>	220 - 240 V
<b>AC Voltage Range</b>	198 – 264 V
<b>DC Voltage Range</b>	176 – 280 V
<b>Max. Output Power</b>	17W
<b>Output Current</b>	Set at 600 mA
<b>Dimming Range</b>	1 - 100%
<b>IP</b>	20
<b>Dimensions</b>	130 x 43 x 30 mm
<b>Lifetime</b>	Up to 100,000hrs
<b>Warranty</b>	5 Years

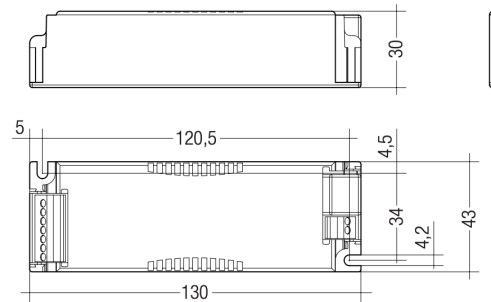
## PROJECT DETAILS

PROJECT:

TYPE:

NOTES:

## DIMENSIONS (mm)



## COMPATIBLE FITTINGS

### FAZE

Edge 135

