



radiantlighting®

KUSHI SUSPENSION

By KDLN

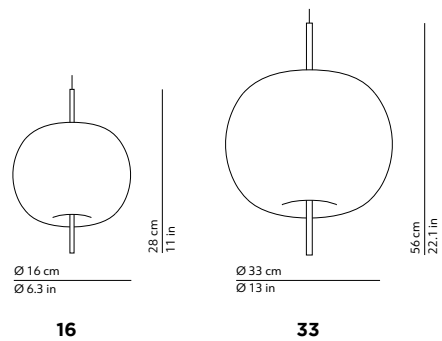
SUSPENSION

Suspension Lamp. Opal diffuser made of two layers of mouth blown glass. Metallic body available in three coating finishes: black, copper and brass.

PROJECT

TYPE

NOTES



GENERAL SPECIFICATIONS

	16	33
LED	25 W	30 W
MATERIAL	Mouth Blown Glass, Liquid Varnished Metal	
FINISH	Black, Brass, Copper	
IP	20	
WARRANTY	Electronics: 5 Years Body Aluminium: 5 Years	
ORIGIN	Italy	

POWER SPECIFICATIONS

DRIVER	220-240/120V Driver
DIMMING	Yes
VOLTAGE	220-240/120V

PRODUCT CODES

16 MATTE BLACK	4-K226105N
16 BRASS	4-K226105O
16 COPPER	4-K226105R
33 MATTE BLACK	4-K221105N
33 BRASS	4-K221105O
33 COPPER	4-K221105R



radiantlighting®

KUSHI XL SUSPENSION

By KDLN

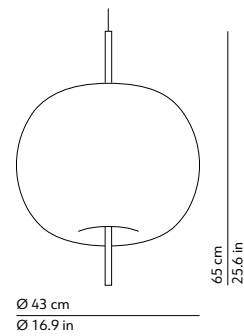
SUSPENSION

Suspension Lamp. Opal diffuser made of two layers of mouth blown glass. Metallic body available in three coating finishes: black, copper and brass.

PROJECT

TYPE

NOTES



43

GENERAL SPECIFICATIONS

LED	2x 70 W
MATERIAL	Mouth Blown Glass, Liquid Varnished Metal
FINISH	Black, Brass, Copper
IP	20
WARRANTY	Electronics: 5 Years Body Aluminium: 5 Years
ORIGIN	Italy

POWER SPECIFICATIONS

DRIVER	220-240/120V Driver
DIMMING	Yes
VOLTAGE	220-240/120V

PRODUCT CODES

MATTE BLACK	4-K218105N
BRASS	4-K218105O
COPPER	4-K218105R