



radiantlighting®

PVC POOL CANISTER

By LuxR

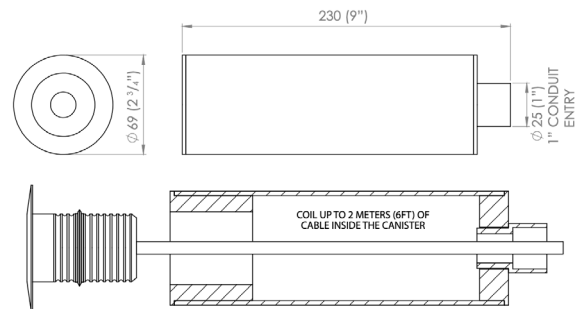
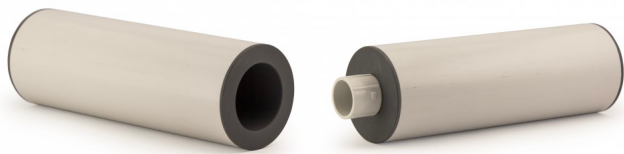
ACCESSORIES

This PVC plastic mounting canister is suitable for masonry pools where the 'wet niche' canister system can be cast in situ. Features a large gallery to house extra cable length, and a Ø 25mm plain pipe union for a riser system to exclude water from the conduit.

PROJECT

TYPE

NOTES



GENERAL SPECIFICATIONS

| | |
|-----------------|-------------|
| MATERIAL | PVC Plastic |
| ORIGIN | New Zealand |

PRODUCT CODES

| | |
|--------------------------|---------------|
| PVC POOL CANISTER | 128-M2-4PLCAN |
|--------------------------|---------------|