



radiantlighting®

MODUX MICRO STEP

By LuxR

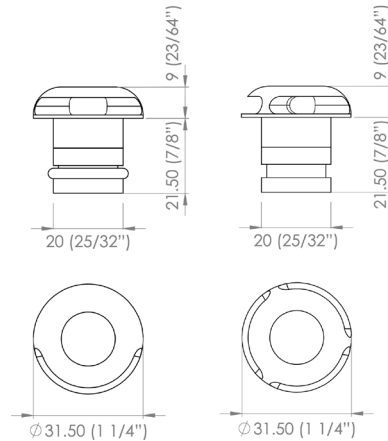
OUTDOOR

The LuxR Modux Micro Recessed Steplight is a miniature low-voltage outdoor washer, with optional canister. The fixture is designed to be mounted either in the ground or wall to wash walls, steps, or illuminate paths. Illumination is directed through the single facet 180° flange which projects light outwards and downwards to create an even wash across any surface.

PROJECT

TYPE

NOTES



GENERAL SPECIFICATIONS

LED	1 W
LUMENS	70 Lm
EFFICACY	70 Lm / W
COLOUR TEMPERATURE	2700K 3000K 4000K
MATERIAL	Natural Copper 316 Stainless Steel
FINISH	Copper, Stainless Steel
BEAM	180° (Recessed Steplight Beam)
CRI	90+
IP	68
WARRANTY	10 Years: Copper & Stainless Steel 5 Years: Electronics
ORIGIN	New Zealand

POWER SPECIFICATIONS

DRIVER SERIES WIRING	60-360mA Constant Current (Remote)
DRIVER PARALLEL WIRING	12VAC (Integral) Remote 12V Transformer Required 24VDC (Integral) Remote 24V Driver Required

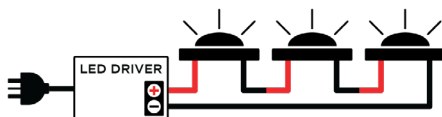
PRODUCT CODES (SERIES WIRING)

COPPER	128-MMSLRC30
STAINLESS STEEL	128-MMSLRS30

PARALLEL WIRING AVAILABLE UPON REQUEST

SERIES WIRING

INPUT 240VAC OUTPUT DC Constant Current



PARALLEL WIRING

INPUT 240VAC OUTPUT 12VAC | 24VDC

