



radiantlighting®

MODUX 2 & 4 STEP WITH SLOT

By LuxR

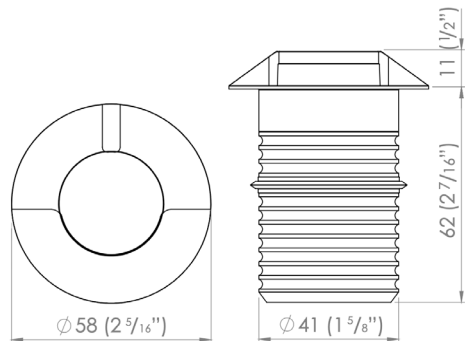
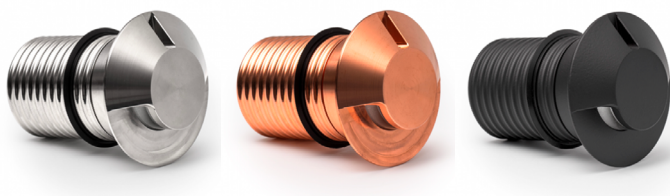
WALL + OUTDOOR

The Modux Step Light with Slot is a low-voltage dimmable outdoor step light that produces a wash distribution 5 degrees below the flange lip, and 10 degrees above. In addition the narrow slot opposite the main beam produces a fine decorative accent. Can be used to illuminate the wall surface adjacent to the step treads, step treads, or paths.

PROJECT

TYPE

NOTES



GENERAL SPECIFICATIONS

LED	2 W 4 W
LUMENS	170 Lm 360 Lm
EFFICACY	85 Lm/W 90 Lm/W
COLOUR TEMPERATURE	2700K 3000K 4000K
MATERIAL	Natural Copper 316 Stainless Steel Powder Coated Aluminium
FINISH	Black, Copper, Stainless Steel
BEAM	-5°, +10°
CRI	90+
IP	68
WARRANTY	10 Years: Copper & Stainless Steel 5 Years: Electronics & Aluminium
ORIGIN	New Zealand

POWER SPECIFICATIONS

DRIVER SERIES WIRING	700mA Constant Current (Remote)
DRIVER PARALLEL WIRING	12VAC (Integral) Remote 12V Transformer Required 24VDC (Integral) Remote 24V Driver Required

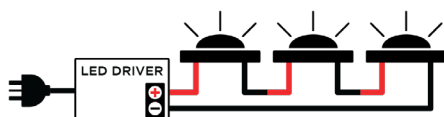
PRODUCT CODES (SERIES WIRING)

M2 BLACK	128-M2SLSRABK30
M2 COPPER	128-M2SLSRRC30
M2 STAINLESS STEEL	128-M2SLSRS30
M4 BLACK	128-M4SLSRABK30
M4 COPPER	128-M4SLSRRC30
M4 STAINLESS STEEL	128-M4SLSRS30

PARALLEL WIRING AVAILABLE UPON REQUEST

SERIES WIRING

INPUT 240VAC OUTPUT DC Constant Current



PARALLEL WIRING

INPUT 240VAC OUTPUT 12VAC | 24VDC

