



radiantlighting®

MODUX 2 & 4 PATH LIGHT

By LuxR

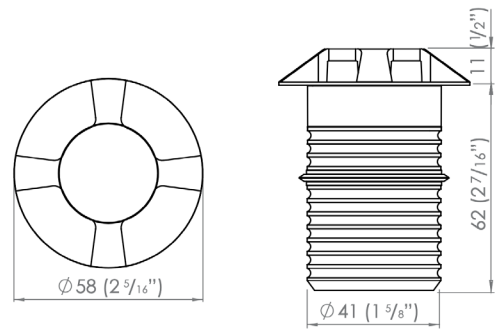
OUTDOOR

The Modux Two & Four Recessed Path lights are a low-voltage dimmable outdoor path light that produces a wash distribution 5 degrees below the flange lip, and 10 degrees above. Can be used to illuminate a wall surface, or as a path light wayfinder among other applications.

PROJECT

TYPE

NOTES



GENERAL SPECIFICATIONS

LED	2 W 4 W
LUMENS	170 Lm 360 Lm
EFFICACY	85 Lm/W 90 Lm/W
COLOUR TEMPERATURE	2700K 3000K 4000K
MATERIAL	Natural Copper 316 Stainless Steel
FINISH	Copper, Stainless Steel
BEAM	-5°, +10°
CRI	90+
IP	68
WARRANTY	10 Years
ORIGIN	New Zealand

POWER SPECIFICATIONS

DRIVER SERIES WIRING	700mA Constant Current (Remote)
DRIVER PARALLEL WIRING	12VAC (Integral) Remote 12V Transformer Required 24VDC (Integral) Remote 24V Driver Required

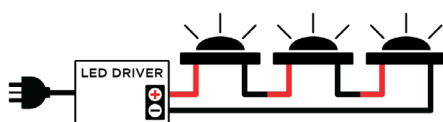
PRODUCT CODES (SERIES WIRING)

STAINLESS STEEL		COPPER	
M2 90°	128-M2PL1RC30	M2 90°	128-M2PL1RS30
M2 180°	128-M2PL180RC30	M2 180°	128-M2PL180RS30
M2 OPPOSITE	128-M2PLOPRC30	M2 OPPOSITE	128-M2PLOPRS30
M2 270°	128-M2PL3RC30	M2 270°	128-M2PL3RS30
M2 360°	128-M2PL4RC30	M2 360°	128-M2PL4RS30
M4 90°	128-M4PL1RC30	M4 90°	128-M4PL1RS30
M4 180°	128-M4PL180RC30	M4 180°	128-M4PL180RS30
M4 OPPOSITE	128-M4PLOPRC30	M4 OPPOSITE	128-M4PLOPRS30
M4 270°	128-M4PL3RC30	M4 270°	128-M4PL3RS30
M4 360°	128-M4PL4RC30	M4 360°	128-M4PL4RS30

PARALLEL WIRING AVAILABLE UPON REQUEST

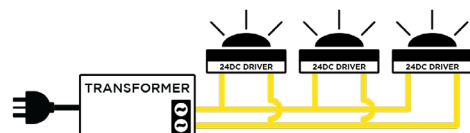
SERIES WIRING

INPUT 240VAC OUTPUT DC Constant Current



PARALLEL WIRING

INPUT 240VAC OUTPUT 12VAC | 24VDC



PERTH
+61 08 9240 1008
sales@radiantlighting.com.au

SYDNEY
1300 438 609
sales@radiantlighting.com.au

MELBOURNE
1300 438 609
sales@radiantlighting.com.au

BRISBANE
1300 438 609
sales@radiantlighting.com.au