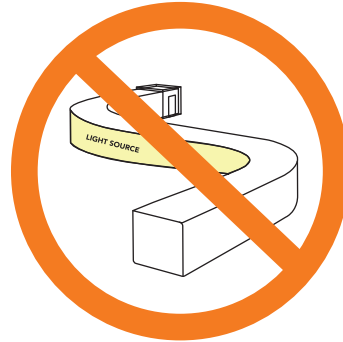
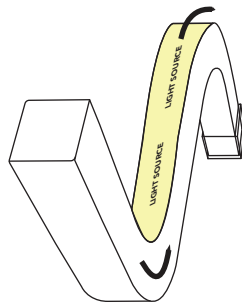


⚠ CAUTION - light fitting must be installed by a licensed electrician.

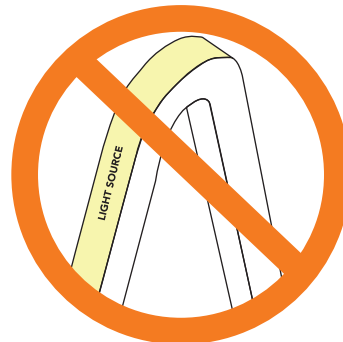
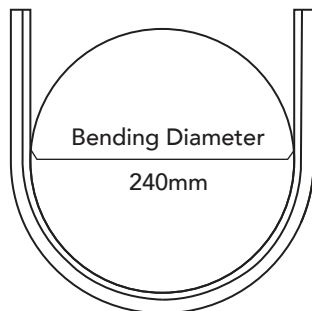
- Please ensure to read instructions correctly for the installation of the fitting provided. Failure to do so will result in a void of warranty and compromises the safety of luminaire.
- Radiant Lighting are not liable for warranties when luminaire is damaged by incorrect installation. The installation of the luminaires must be in accordance with the national safety regulations.

Please refer to Radiant Lighting's General Terms & Conditions for more information concerning the installation and warranty of our products.

- Handle with care.
- Flow Top may not be modified or converted otherwise than prescribed.



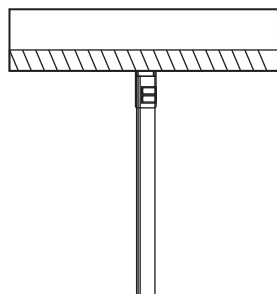
- Flow Top can only be bent upwards & downwards. Make sure that this predetermined bending direction is never changed.



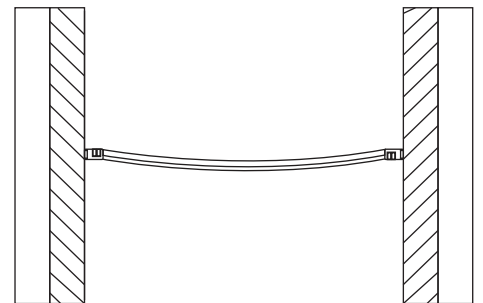
- Do not bend sharply or too tight. Maximum bending diameter is 240mm.



- Do not twist.



- Do not hang.



- Do not droop.

Category LED Strip Lighting	CRI 90+
Power 5W / 10W	Material Extruded Silicone
IP Rating 67	Warranty 5 Years



For warranty information please visit radiantlighting.com.au/warranty

For all other queries, please call us on 1300 438 609

