

LUCID T 350

Incorporating powerful illumination with advanced LED technology. With a modern yet minimal design, the LUCID T can fit into any residential and commercial space.



FEATURES

- + High Efficacy.
- + Intergrated, Flicker Free, Dimmable Driver.
- + IP 54 - Suitable for wet areas.
- + Compatible With Remote Casambi CBU-TED Bluetooth Controllable Dimmer (71-CASCBU) & with Casambi BasicDim Driver 71-CAS600



GENERAL SPECIFICATIONS

| | |
|------------------------|------------------------------------------------------------------------------------------|
| LED | 32W 24W 18W |
| Lumens (3000K & 4000K) | 3200 2400 1800 |
| Efficacy | Up to 100 lm/W |
| Colour Temperature | <input type="checkbox"/> 3000K, Warm White <input type="checkbox"/> 4000K, Cool White |
| Material | PMMA Polycarbonate |
| Finish | White Black |
| Beam | 110° |
| CRI | 90+ |
| IP | 54 |
| Colour Deviation | SDCM ≤3 |
| UGR | <26 |
| Lifetime | >30,000hrs L70 B10 |
| Warranty | 3 Years |

Compatible with remote Casambi CBU-TED Bluetooth Controllable Dimmer (71-CASCBU)

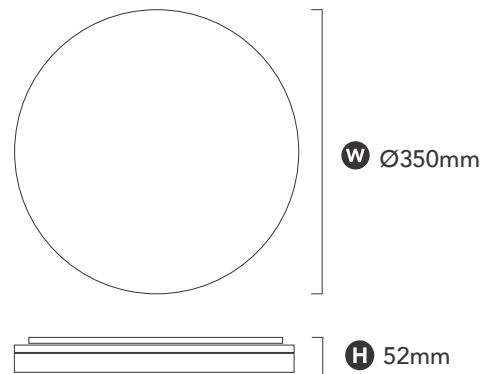
PROJECT DETAILS

PROJECT:

TYPE:

NOTES:

DIMENSIONS



DRIVER SPECIFICATIONS

| | |
|-------------------------------------|--------------------------------------------|
| Power | 240V Built-In Flicker Free Dimmable Driver |
| Dimming | Phase Cut Dimming |
| Power Factor | > 0.95 |
| DALI Dimming Available Upon Request | |

PRODUCT CODES

| | |
|--------------|---------------|
| White, 3000K | 83-LCDT3529W3 |
| Black, 3000K | 83-LCDT3529B3 |
| White, 4000K | 83-LCDT3529W4 |
| Black, 4000K | 83-LCDT3529B4 |